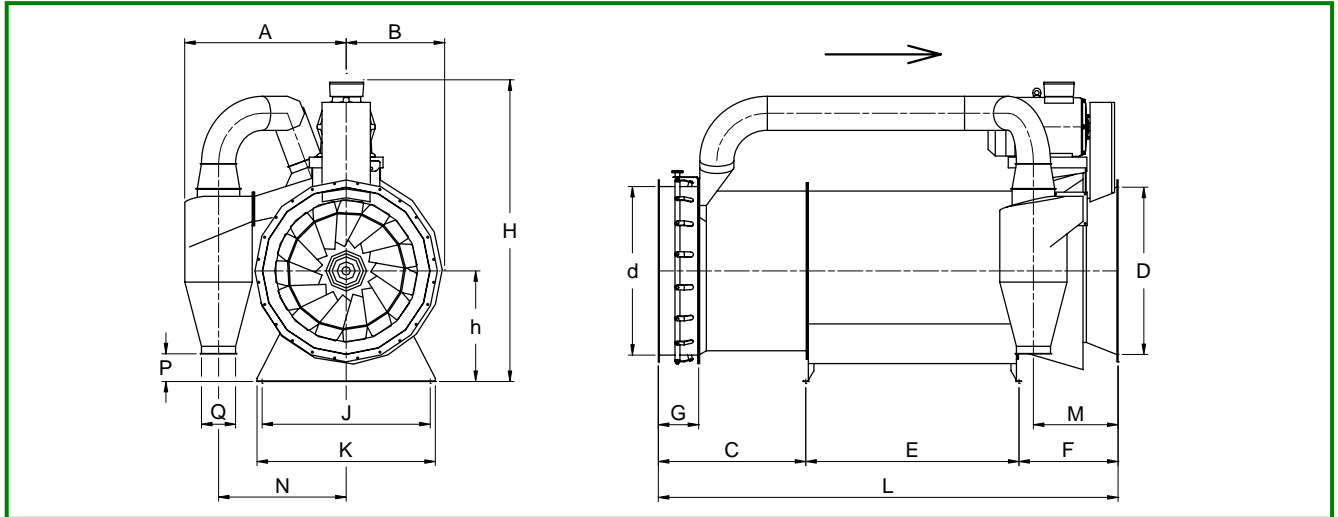


# Data Sheet 74.1a

## Super Cyclofan<sup>®</sup>, Technical Data



Figure 1: Measurements



	A	B	C	d	D	E	F	G	h	H	J	K	L	M	N	P	Q
CF-600	720	420	736	ø750	ø750	1018	606	240	590	1500	650	710	2360	587	563	-48	ø200
CF-900	960	585	877	ø1000	ø1000	1268	589	240	660	1800	1000	1060	2734	503	759	165	ø200

### Assembly and Maintenance

The Super Cyclofan can be installed both horizontally and vertically, as the position has no effect to the degree of separation. Furthermore the Super Cyclofan is provided with grease nipples which makes it possible to grease the shaft bearings periodically or to connect the ventilator to a central greasing plant.

### Capacity

The Super Cyclofan is made in two series, CF600 and CF900. Capacity curves are shown in figure 2.

### Material

The Super Cyclofan is manufactured with a stainless steel cylinder. The rest of the Cyclofan is made of steel and painted in Cimbría standard colours.

### Altitude above Sea Level

As other fans the capacity of the Super Cyclofan is also dependent on the pressure. Operation in altitudes above 500 meters will reduce the capacity of the Super Cyclofan. If this is the case, then please contact Cimbría Manufacturing for further information.

Figure 2: Capacity curves dependent on pressure

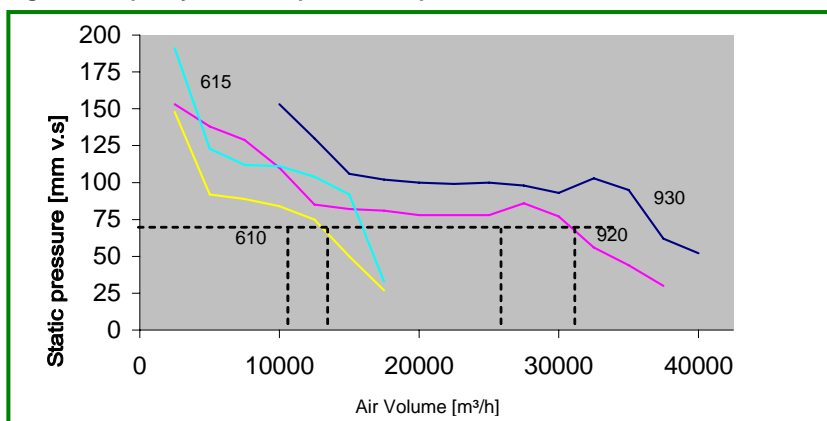


Table 1: Noise Level [dB(A)]

Type	Frequency [Hz]								
	63	125	250	550	1 k	2 k	4 k	8 k	Total
CF 610	67	71	82.5	84.5	86.2	83	73	62.3	89
CF 615	63	70	82	82.5	85.5	83.5	74.5	65.5	90
CF 920	88	93	98	99.5	101.5	99.5	95	84.2	107
CF 930	78	85	94	100	103	104	101	98	109

Copyright © - The right to alterations is reserved

