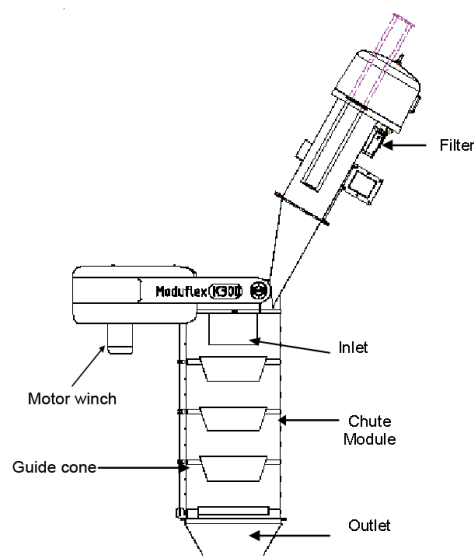


MODUFLEX LOADING CHUTE K300



GENERAL

| | |
|-------------|--|
| Brand | Cimbria |
| Designation | Moduflex Loading Chute |
| Model | K300 |
| Use | Designed for dust-free out-loading of dry bulk material. |



Technical Information - K300

| | |
|---------------|---|
| Inlet | Cylindrical inlet tube in 2mm steel. Fitting Ø300 PN10 flange (2576B). Mounted with 12 off M20 bolts. Sidemounted filter module with built-in cartridge filter, pressure tank, magnetic valves etc. 9 off filter cartridges, totals 9 m ² , alternatively 14m ² or 18m ² . Fan with 0,75kW motor. |
| Chute modules | Type Y - Standard: Yellow. PVC/Polyester. Ø600mm/H=300mm. Temperature -35°C - +70°C Type M - Food Grade: Light Grey. PVC/Polyester. Ø600mm/H=300mm. Temperature -30°C - +70°C Type W - Special: Misc. PVC/Polyester. Ø600mm/H=300mm. Temperature -35°C - +70°C Type B - Heavy Duty: Black. Synthetic rubber. Ø600mm/H=300mm. Temperature -40°C - +130°C Type G - ExtremeTemperature: Grey. Teflon/Fiber glass. Ø600mm/H=300mm. Temperature -35°C - +260°C Type R - High Temperature: Red. Polyester and fiber/silicone rubber. Ø600/H=300. Temp. -40°C - +150°C (peak +220°C) Type Z - Low temperature: Green. PVC/PU. Ø600mm/H=300mm. Temperature -60°C - +70°C. Connection ring in stainless steel Aisi 304, c/w 3 off wire guides in nylon. |
| Guide cones | Type O - Support ring. Steel, H=30mm Type U - Ultramid. Polyamide 6.6. H=150mm, pt=6mm. Type J - Steel Standard. Steel, H=150mm, pt=2mm. |
| Outlet | Type T - Tank Outlet with steel cone for loading in tanker truck. Type F - Flat Outlet with dust skirt for loading in open truck. Type M - Multi Outlet with steel cone and dust skirt for loading in tanker truck and open truck. |
| Motor winch | Motor 0.55-2.2 kW, 1400 rpm. Gear box ratio 100:1. Tight and slack wire indication External 3-point wire hoist system with high precision ball bearings and 3 off winch discs vertically fitted. Hoist wires Ø5mm available in steel, stainless steel Aisi316 or Long Life steel quality. Self-lubricating wire rollers in Ertalite TX, alternatively steel/stainless steel with bronze bearing |
| General info | Max. loading capacity approx. 250 m ³ /hour. Compressed air supply, clean and dry for filter: Connection 5-6 bar. Filter cleaning air consumption 100-150 NL/min. Pressure air connection ½". Metal parts available in painted steel st. 37 or stainless steel Aisi 304. Other steel qualities on demand. Surface treatment St. 37: Iron phosphating, 80 micron coating RAL 9010 pure white. Surface treatment Aisi 304: Acid-washed without any further treatment Motor winch covers in ABS - RAL 6005 dark green. Cover on filter RAL 6005 Available with full approval and certificates for location in ATEX zone 21 and 22 (zone 20 inside the chute) |

Accessories for Loading Chute K300, please see separate Data Sheet

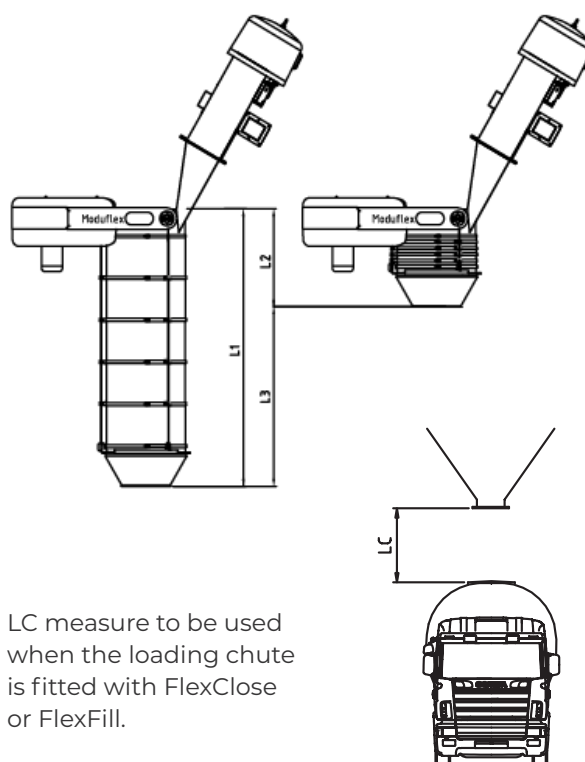
| K300 | | | | | | | | | | | | | | | | | | |
|------|----------------|------|------|--------------------|------|------|----------------|------|------|--------------------|------|------|----------------|------|------|--------------------|------|------|
| | Outlet type TS | | | | | | Outlet type FS | | | | | | Outlet type MS | | | | | |
| Cone | Ultramid | | | Steel/support ring | | | Ultramid | | | Steel/support ring | | | Ultramid | | | Steel/support ring | | |
| M | L1 | L2 | L3 | L1 | L2 | L3 | L1 | L2 | L3 | L1 | L2 | L3 | L1 | L2 | L3 | L1 | L2 | L3 |
| 1 | 795 | 533 | 262 | 795 | 533 | 262 | 810 | 548 | 262 | 810 | 548 | 262 | | | | | | |
| 2 | 1102 | 569 | 533 | 1102 | 578 | 524 | 1117 | 584 | 533 | 1117 | 593 | 524 | | | | | | |
| 3 | 1409 | 605 | 804 | 1409 | 623 | 786 | 1424 | 620 | 804 | 1424 | 638 | 786 | | | | | | |
| 4 | 1716 | 641 | 1075 | 1716 | 668 | 1048 | 1731 | 656 | 1075 | 1731 | 683 | 1048 | | | | | | |
| 5 | 2023 | 677 | 1346 | 2023 | 713 | 1310 | 2038 | 692 | 1346 | 2038 | 728 | 1310 | | | | | | |
| 6 | 2330 | 713 | 1617 | 2330 | 758 | 1572 | 2345 | 728 | 1617 | 2345 | 773 | 1572 | 2630 | 1013 | 1617 | 2630 | 1058 | 1572 |
| 7 | 2637 | 749 | 1888 | 2637 | 803 | 1834 | 2652 | 764 | 1888 | 2652 | 818 | 1834 | 2937 | 1049 | 1888 | 2937 | 1103 | 1834 |
| 8 | 2944 | 785 | 2159 | 2944 | 848 | 2096 | 2959 | 800 | 2159 | 2959 | 863 | 2096 | 3244 | 1085 | 2159 | 3244 | 1148 | 2096 |
| 9 | 3251 | 821 | 2430 | 3251 | 893 | 2358 | 3266 | 836 | 2430 | 3266 | 908 | 2358 | 3551 | 1121 | 2430 | 3551 | 1193 | 2358 |
| 10 | 3558 | 857 | 2701 | 3558 | 938 | 2620 | 3573 | 872 | 2701 | 3573 | 953 | 2620 | 3858 | 1157 | 2701 | 3858 | 1238 | 2620 |
| 11 | 3865 | 893 | 2972 | 3865 | 983 | 2882 | 3880 | 908 | 2972 | 3880 | 998 | 2882 | 4165 | 1193 | 2972 | 4165 | 1283 | 2882 |
| 12 | 4172 | 929 | 3243 | 4172 | 1028 | 3144 | 4187 | 944 | 3243 | 4187 | 1043 | 3144 | 4472 | 1229 | 3243 | 4472 | 1328 | 3144 |
| 13 | 4479 | 965 | 3514 | 4479 | 1073 | 3406 | 4494 | 980 | 3514 | 4494 | 1088 | 3406 | 4779 | 1265 | 3514 | 4779 | 1373 | 3406 |
| 14 | 4786 | 1001 | 3785 | 4786 | 1118 | 3668 | 4801 | 1016 | 3785 | 4801 | 1133 | 3668 | 5086 | 1301 | 3785 | 5086 | 1418 | 3668 |
| 15 | 5093 | 1037 | 4056 | 5093 | 1163 | 3930 | 5108 | 1052 | 4056 | 5108 | 1178 | 3930 | 5393 | 1337 | 4056 | 5393 | 1463 | 3930 |
| 16 | 5400 | 1073 | 4327 | 5400 | 1208 | 4192 | 5415 | 1088 | 4327 | 5415 | 1223 | 4192 | 5700 | 1373 | 4327 | 5700 | 1508 | 4192 |
| 17 | 5707 | 1109 | 4598 | 5707 | 1253 | 4454 | 5722 | 1124 | 4598 | 5722 | 1268 | 4454 | 6007 | 1409 | 4598 | 6007 | 1553 | 4454 |
| 18 | 6014 | 1145 | 4869 | 6014 | 1298 | 4716 | 6029 | 1160 | 4869 | 6029 | 1313 | 4716 | 6314 | 1445 | 4869 | 6314 | 1598 | 4716 |
| 19 | 6321 | 1181 | 5140 | 6321 | 1343 | 4978 | 6336 | 1196 | 5140 | 6336 | 1358 | 4978 | 6621 | 1481 | 5140 | 6621 | 1643 | 4978 |
| 20 | 6628 | 1217 | 5411 | 6628 | 1388 | 5240 | 6643 | 1232 | 5411 | 6643 | 1403 | 5240 | 6928 | 1517 | 5411 | 6928 | 1688 | 5240 |
| 21 | 6935 | 1253 | 5682 | 6935 | 1433 | 5502 | 6950 | 1268 | 5682 | 6950 | 1448 | 5502 | 7235 | 1553 | 5682 | 7235 | 1733 | 5502 |
| 22 | 7242 | 1289 | 5953 | 7242 | 1478 | 5764 | 7257 | 1304 | 5953 | 7257 | 1493 | 5764 | 7542 | 1589 | 5953 | 7542 | 1778 | 5764 |
| 23 | 7549 | 1325 | 6224 | 7549 | 1523 | 6026 | 7564 | 1340 | 6224 | 7564 | 1538 | 6026 | 7849 | 1625 | 6224 | 7849 | 1823 | 6026 |
| 24 | 7856 | 1361 | 6495 | 7856 | 1568 | 6288 | 7871 | 1376 | 6495 | 7871 | 1583 | 6288 | 8156 | 1661 | 6495 | 8156 | 1868 | 6288 |
| 25 | 8163 | 1397 | 6766 | 8163 | 1613 | 6550 | 8178 | 1412 | 6766 | 8178 | 1628 | 6550 | 8463 | 1697 | 6766 | 8463 | 1913 | 6550 |
| 26 | 8470 | 1433 | 7037 | 8470 | 1658 | 6812 | 8485 | 1448 | 7037 | 8485 | 1673 | 6812 | 8770 | 1733 | 7037 | 8770 | 1958 | 6812 |
| 27 | 8777 | 1469 | 7308 | 8777 | 1703 | 7074 | 8792 | 1484 | 7308 | 8792 | 1718 | 7074 | 9077 | 1769 | 7308 | 9077 | 2003 | 7074 |
| 28 | 9084 | 1505 | 7579 | 9084 | 1748 | 7336 | 9099 | 1520 | 7579 | 9099 | 1763 | 7336 | 9384 | 1805 | 7579 | 9384 | 2048 | 7336 |
| 29 | 9391 | 1541 | 7850 | 9391 | 1793 | 7598 | 9406 | 1556 | 7850 | 9406 | 1808 | 7598 | 9691 | 1841 | 7850 | 9691 | 2093 | 7598 |
| 30 | 9698 | 1577 | 8121 | 9698 | 1838 | 7860 | 9713 | 1592 | 8121 | 9713 | 1853 | 7860 | 9998 | 1877 | 8121 | 9998 | 2138 | 7860 |
| 31 | 10005 | 1613 | 8392 | 10005 | 1883 | 8122 | 10020 | 1628 | 8392 | 10020 | 1898 | 8122 | 10305 | 1913 | 8392 | 10305 | 2183 | 8122 |
| 32 | 10312 | 1649 | 8663 | 10312 | 1928 | 8384 | 10327 | 1664 | 8663 | 10327 | 1943 | 8384 | 10612 | 1949 | 8663 | 10612 | 2228 | 8384 |
| 33 | 10619 | 1685 | 8934 | 10619 | 1973 | 8646 | 10634 | 1700 | 8934 | 10634 | 1988 | 8646 | 10919 | 1985 | 8934 | 10919 | 2273 | 8646 |
| 34 | 10926 | 1721 | 9205 | 10926 | 2018 | 8908 | 10941 | 1736 | 9205 | 10941 | 2033 | 8908 | 11226 | 2021 | 9205 | 11226 | 2318 | 8908 |
| 35 | 11233 | 1757 | 9476 | 11233 | 2063 | 9170 | 11248 | 1772 | 9476 | 11248 | 2078 | 9170 | 11533 | 2057 | 9476 | 11533 | 2363 | 9170 |

| K300 with FlexClose - no indicator | | | | | | | |
|------------------------------------|------|----------|------|------|--------------------|------|------|
| Cone | | Ultramid | | | Steel/support ring | | |
| Indicator | | None | | | None | | |
| M | LC | L1 | L2 | L3 | L1 | L2 | L3 |
| 2 | 1186 | 1456 | 928 | 528 | 1456 | 937 | 519 |
| 3 | 1493 | 1763 | 964 | 799 | 1763 | 982 | 781 |
| 4 | 1800 | 2070 | 1000 | 1070 | 2070 | 1027 | 1043 |
| 5 | 2107 | 2377 | 1036 | 1341 | 2377 | 1072 | 1305 |
| 6 | 2414 | 2684 | 1072 | 1612 | 2684 | 1117 | 1567 |
| 7 | 2721 | 2991 | 1108 | 1883 | 2991 | 1162 | 1829 |
| 8 | 3028 | 3298 | 1144 | 2154 | 3298 | 1207 | 2091 |
| 9 | 3335 | 3605 | 1180 | 2425 | 3605 | 1252 | 2353 |
| 10 | 3642 | 3912 | 1216 | 2696 | 3912 | 1297 | 2615 |

| K300 with FlexClose and FlexSeal - no indicator | | | | | | | |
|---|------|----------|------|------|--------------------|------|------|
| Cone | | Ultramid | | | Steel/support ring | | |
| Indicator | | None | | | None | | |
| M | LC | L1 | L2 | L3 | L1 | L2 | L3 |
| 2 | 1186 | 1456 | 958 | 498 | 1456 | 967 | 489 |
| 3 | 1493 | 1763 | 994 | 769 | 1763 | 1012 | 751 |
| 4 | 1800 | 2070 | 1030 | 1040 | 2070 | 1057 | 1013 |
| 5 | 2107 | 2377 | 1066 | 1311 | 2377 | 1102 | 1275 |
| 6 | 2414 | 2684 | 1102 | 1582 | 2684 | 1147 | 1537 |
| 7 | 2721 | 2991 | 1138 | 1853 | 2991 | 1192 | 1799 |
| 8 | 3028 | 3298 | 1174 | 2124 | 3298 | 1237 | 2061 |
| 9 | 3335 | 3605 | 1210 | 2395 | 3605 | 1282 | 2323 |
| 10 | 3642 | 3912 | 1246 | 2666 | 3912 | 1327 | 2585 |

| K300 with FlexClose - with/without FlexSeal + indicator | | | | | | | | | | | | | |
|---|------|---------------------|------|------|---------------------|------|------|---------------|------|------|--------------------|------|------|
| Cone | | Ultramid | | | Steel/support ring | | | Ultramid | | | Steel/support ring | | |
| Indicator | | Rotating/capacitive | | | Rotating/capacitive | | | Vibration rod | | | Vibration rod | | |
| M | LC | L1 | L2 | L3 | L1 | L2 | L3 | L1 | L2 | L3 | L1 | L2 | L3 |
| 2 | 1186 | 1616 | 1088 | 528 | 1616 | 1097 | 519 | 1686 | 1158 | 528 | 1686 | 1167 | 519 |
| 3 | 1493 | 1923 | 1124 | 799 | 1923 | 1142 | 781 | 1993 | 1194 | 799 | 1993 | 1212 | 781 |
| 4 | 1800 | 2230 | 1160 | 1070 | 2230 | 1187 | 1043 | 2300 | 1230 | 1070 | 2300 | 1257 | 1043 |
| 5 | 2107 | 2537 | 1196 | 1341 | 2537 | 1232 | 1305 | 2607 | 1266 | 1341 | 2607 | 1302 | 1305 |
| 6 | 2414 | 2844 | 1232 | 1612 | 2844 | 1277 | 1567 | 2914 | 1302 | 1612 | 2914 | 1347 | 1567 |
| 7 | 2721 | 3151 | 1268 | 1883 | 3151 | 1322 | 1829 | 3221 | 1338 | 1883 | 3221 | 1392 | 1829 |
| 8 | 3028 | 3458 | 1304 | 2154 | 3458 | 1367 | 2091 | 3528 | 1374 | 2154 | 3528 | 1437 | 2091 |
| 9 | 3335 | 3765 | 1340 | 2425 | 3765 | 1412 | 2353 | 3835 | 1410 | 2425 | 3835 | 1482 | 2353 |
| 10 | 3642 | 4072 | 1376 | 2696 | 4072 | 1457 | 2615 | 4142 | 1446 | 2696 | 4142 | 1527 | 2615 |

| K300 with Flexfill | | | | | | | |
|--------------------|------|----------|------|------|--------------------|------|------|
| Cone | | Ultramid | | | Steel/support ring | | |
| M | LC | L1 | L2 | L3 | L1 | L2 | L3 |
| 3 | 1683 | 1987 | 1183 | 804 | 1987 | 1201 | 786 |
| 4 | 1990 | 2294 | 1219 | 1075 | 2294 | 1246 | 1048 |
| 5 | 2297 | 2601 | 1255 | 1346 | 2601 | 1291 | 1310 |
| 6 | 2604 | 2908 | 1291 | 1617 | 2908 | 1336 | 1572 |
| 7 | 2911 | 3215 | 1327 | 1888 | 3215 | 1381 | 1834 |
| 8 | 3218 | 3522 | 1363 | 2159 | 3522 | 1426 | 2096 |
| 9 | 3525 | 3829 | 1399 | 2430 | 3829 | 1471 | 2358 |
| 10 | 3832 | 4136 | 1435 | 2701 | 4136 | 1516 | 2620 |



LC measure to be used when the loading chute is fitted with FlexClose or FlexFill.