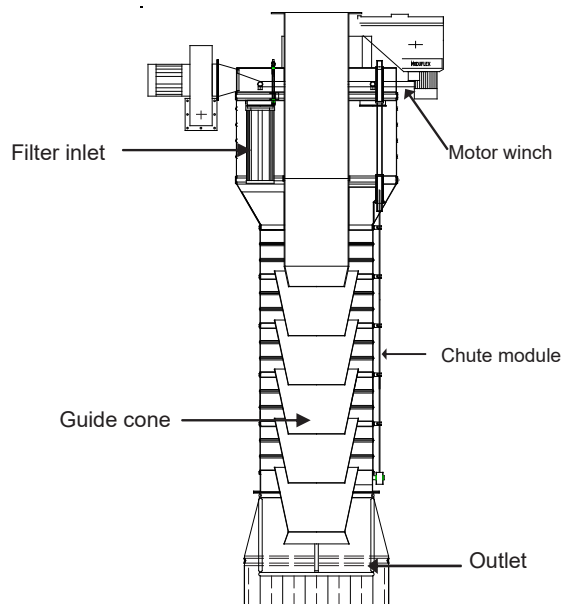


MODUFLEX LOADING CHUTE

HDF400

GENERAL

Brand	Cimbria
Designation	Moduflex Loading Chute
Model	HDF400
Use	Designed for dust-free out-loading of dry bulk material.



Technical Information - HDF400

Inlet	Cylindrical/conical inlet tube in 4 mm steel. Fitting Ø400 PN10 flange (2576B). For 16 off M24 bolts. Filter module with built-in cartridge filter, pressure tank, magnetic valves etc. 9 off filter cartridges, totals 13,5 m ² c/w jubilee clip. Fan with 1,1kW motor and air regulator. Fan connection Ø200 with flange.
Chute modules	Type Y - Standard: Yellow. PVC/Polyester. Ø700/H=300mm Temperature -35°C - +70°C Type M - Food Grade: Light Grey. PVC/Polyester. Ø700/H=300mm Temperature -30°C - +70°C Type W - Special: Misc. PVC/Polyester. Ø700/H=300mm Temperature -35°C - +70°C Type B - Heavy Duty: Black. Synthetic rubber. Ø700/H=300mm. Temperature -40°C - +130°C Type G - Extreme Temperature: Grey. Teflon/Fiber glass. Ø700/H=300mm. Temperature ±35°C - +70°C. Type R - High temperature: Red. Polyester and fiber/silicone rubber. Ø700/H=300mm. Temp. -40°C - +150°C (peak +220°C) Type Z - Low temperature: Green. PVC/PU. Ø700mm/H=300mm. Temperature -60°C - +70°C Connection ring in stainless steel Aisi 304, c/w 3 off wire guides in nylon.
Guide cones	Type O - Support ring. Steel, H=30mm Type J - Steel Standard. Steel, H150mm, pt=2mm. Type L - Steel Overlapping, Steel, H405mm, pt=2mm.
Outlet	Type T - Tank Outlet with steel cone for loading in tanker truck. Type F - Flat Outlet with dust skirt for loading in open truck. Type M - Multi Outlet with steel cone and dust skirt for loading in tanker truck and open truck.
Motor winch	Motor 0.55kW-2.2 kW, 1400 rpm. Gear box ratio 100:1. Tight and slack wire indication External 3-point wire hoist system with high precision ball bearings and 3 off winch discs vertically fitted. Hoist wires Ø5mm available in steel, stainless steel Aisi316 or Long Life steel quality. Self-lubricating wire rollers in Ertalite TX, alternatively steel/stainless steel with bronze bearing
General info	Max. loading capacity approx. 440 m ³ /hour. Compressed air supply, filter: Connection 3-4 bar. Filter cleaning air consumption 100-500 NL/min. Metal parts available in painted steel st. 37 or stainless steel Aisi 304. Other steel qualities on demand. Surface treatment St. 37: Iron phosphating, 80 micron coating RAL 9010 pure white. Surface treatment Aisi 304: Acid-washed without any further treatment Motor winch covers in steel Available with full approval and certificates for location in ATEX zone 21 and 22 (zone 20 inside the chute)

Accessories for Loading Chute HDF400, please see separate Data Sheet

HDF400 Short Cones									
	Outlet type T			Outlet type F			Outlet type M		
Cone	Steel			Steel			Steel		
M	L1	L2	L3	L1	L2	L3	L1	L2	L3
1	1 945	1 683	262	1 959	1 697	262			
2	2 252	1 728	524	2 266	1 742	524			
3	2 559	1 773	786	2 573	1 787	786			
4	2 866	1 818	1 048	2 880	1 832	1 048			
5	3 173	1 863	1 310	3 187	1 877	1 310			
6	3 480	1 908	1 572	3 494	1 922	1 572	3 779	2 207	1 572
7	3 787	1 953	1 834	3 801	1 967	1 834	4 086	2 252	1 834
8	4 094	1 998	2 096	4 108	2 012	2 096	4 393	2 297	2 096
9	4 401	2 043	2 358	4 415	2 057	2 358	4 700	2 342	2 358
10	4 708	2 088	2 620	4 722	2 102	2 620	5 007	2 387	2 620
11	5 015	2 133	2 882	5 029	2 147	2 882	5 314	2 432	2 882
12	5 322	2 178	3 144	5 336	2 192	3 144	5 621	2 477	3 144
13	5 629	2 223	3 406	5 643	2 237	3 406	5 928	2 522	3 406
14	5 936	2 268	3 668	5 950	2 282	3 668	6 235	2 567	3 668
15	6 243	2 313	3 930	6 257	2 327	3 930	6 542	2 612	3 930
16	6 550	2 358	4 192	6 564	2 372	4 192	6 849	2 657	4 192
17	6 857	2 403	4 454	6 871	2 417	4 454	7 156	2 702	4 454
18	7 164	2 448	4 716	7 178	2 462	4 716	7 463	2 747	4 716
19	7 471	2 493	4 978	7 485	2 507	4 978	7 770	2 792	4 978
20	7 778	2 538	5 240	7 792	2 552	5 240	8 077	2 837	5 240
21	8 085	2 583	5 502	8 099	2 597	5 502	8 384	2 882	5 502
22	8 392	2 628	5 764	8 406	2 642	5 764	8 691	2 927	5 764
23	8 699	2 673	6 026	8 713	2 687	6 026	8 998	2 972	6 026
24	9 006	2 718	6 288	9 020	2 732	6 288	9 305	3 017	6 288
25	9 313	2 763	6 550	9 327	2 777	6 550	9 612	3 062	6 550

HDF400 Long Cones									
	Outlet type T			Outlet type F			Outlet type M		
Cone	Overlapping steel			Overlapping steel			Overlapping steel		
M	L1	L2	L3	L1	L2	L3	L1	L2	L3
1	2 097	1 840	257	2 483	2 226	257			
2	2 404	1 890	514	2 790	2 276	514			
3	2 711	1 940	771	3 097	2 326	771			
4	3 018	1 990	1 028	3 404	2 376	1 028			
5	3 325	2 040	1 285	3 711	2 426	1 285			
6	3 632	2 090	1 542	4 018	2 476	1 542	4 018	2 476	1 542
7	3 939	2 140	1 799	4 325	2 526	1 799	4 325	2 526	1 799
8	4 246	2 190	2 056	4 632	2 576	2 056	4 632	2 576	2 056
9	4 553	2 240	2 313	4 939	2 626	2 313	4 939	2 626	2 313
10	4 860	2 290	2 570	5 246	2 676	2 570	5 246	2 676	2 570
11	5 167	2 340	2 827	5 553	2 726	2 827	5 553	2 726	2 827
12	5 474	2 390	3 084	5 860	2 776	3 084	5 860	2 776	3 084
13	5 781	2 440	3 341	6 167	2 826	3 341	6 167	2 826	3 341
14	6 088	2 490	3 598	6 474	2 876	3 598	6 474	2 876	3 598
15	6 395	2 540	3 855	6 781	2 926	3 855	6 781	2 926	3 855
16	6 702	2 590	4 112	7 088	2 976	4 112	7 088	2 976	4 112
17	7 009	2 640	4 369	7 395	3 026	4 369	7 395	3 026	4 369
18	7 316	2 690	4 626	7 702	3 076	4 626	7 702	3 076	4 626
19	7 623	2 740	4 883	8 009	3 126	4 883	8 009	3 126	4 883
20	7 930	2 790	5 140	8 316	3 176	5 140	8 316	3 176	5 140

MODUFLEX LOADING CHUTE

HDF400

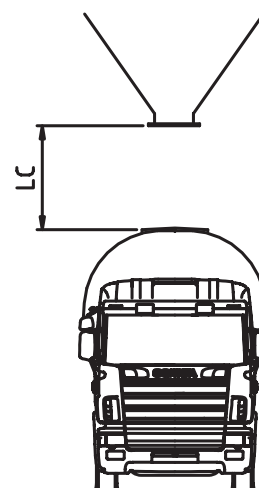
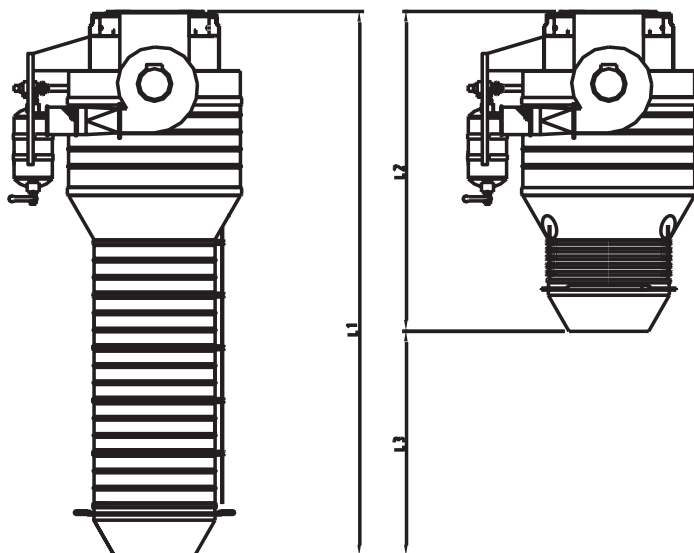
HDF400 short cones + FlexClose + indicator							
Rotating+ capacitive indicator					Vibration rod		
M	LC	L1	L2	L3	L1	L2	L3
2	2 346	2 816	2 297	519	2 886	2 367	519
3	2 653	3 123	2 342	781	3 193	2 412	781
4	2 960	3 430	2 387	1 043	3 500	2 457	1 043
5	3 267	3 737	2 432	1 305	3 807	2 502	1 305
6	3 574	4 044	2 477	1 567	4 114	2 547	1 567
7	3 881	4 351	2 522	1 829	4 421	2 592	1 829
8	4 188	4 658	2 567	2 091	4 728	2 637	2 091
9	4 495	4 965	2 612	2 353	5 035	2 682	2 353
10	4 802	5 272	2 657	2 615	5 342	2 727	2 615

HDF400 with short cones with FlexClose - no indicator				
M	LC	L1	L2	L3
2	2 346	2 656	2 137	519
3	2 653	2 963	2 182	781
4	2 960	3 270	2 227	1 043
5	3 267	3 577	2 272	1 305
6	3 574	3 884	2 317	1 567
7	3 881	4 191	2 362	1 829
8	4 188	4 498	2 407	2 091
9	4 495	4 805	2 452	2 353
10	4 802	5 112	2 497	2 615

HDF400 with long cones with FlexClose - no indicator				
M	LC	L1	L2	L3
2	2 346	2 656	2 142	514
3	2 653	2 963	2 192	771
4	2 960	3 270	2 242	1 028
5	3 267	3 577	2 292	1 285
6	3 574	3 884	2 342	1 542
7	3 881	4 191	2 392	1 799
8	4 188	4 498	2 442	2 056
9	4 495	4 805	2 492	2 313
10	4 802	5 112	2 542	2 570

HDF400 long cones + FlexClose + indicator							
Rotating+ capacitive indicator					Vibration rod		
M	LC	L1	L2	L3	L1	L2	L3
2	2 346	2 816	2 302	514	2 886	2 372	514
3	2 653	3 123	2 352	771	3 193	2 422	771
4	2 960	3 430	2 402	1 028	3 500	2 472	1 028
5	3 267	3 737	2 452	1 285	3 807	2 522	1 285
6	3 574	4 044	2 502	1 542	4 114	2 572	1 542
7	3 881	4 351	2 552	1 799	4 421	2 622	1 799
8	4 188	4 658	2 602	2 056	4 728	2 672	2 056
9	4 495	4 965	2 652	2 313	5 035	2 722	2 313
10	4 802	5 272	2 702	2 570	5 342	2 772	2 570

HDF400 long cones + FlexClose + indicator								
	short cones				long cones			
M	LC	L1	L2	L3	LC	L1	L2	L3
3	2 934	3 253	2 467	786	2934	3253	2685	568
4	3 241	3 560	2 512	1048	3241	3560	2735	825
5	3 548	3 867	2 557	1310	3548	3867	2785	1082
6	3 855	4 174	2 602	1572	3855	4174	2835	1339
7	4 162	4 481	2 647	1834	4162	4481	2885	1596
8	4 469	4 788	2 692	2096	4469	4788	2935	1853
9	4 776	5 095	2 737	2358	4776	5095	2985	2110
10	5 083	5 402	2 782	2620	5083	5402	3035	2367



LC measure to be used when the loading chute is fitted with FlexClose or FlexFill.