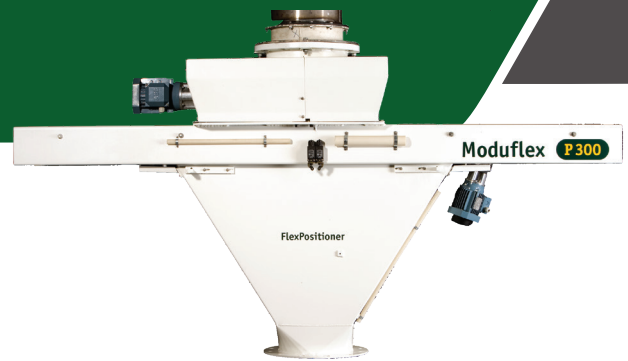


FLEXPOSITIONER P300H

GENERAL

Brand	Cimbria
Designation	Moduflex Flexpositioner
Model	P300H
Use	Designed for dust-free out-loading of dry bulk material.



Motorised positioning system for dust free loading chute installations. Neatly engineered and compact in size.

The unit enables the outlet to be precisely positioned in any horizontal direction up to a maximum of 1000 mm out from the centre point of the bellow. Vertical positioning is by a conventional lifting/lowering wires arrangement.

A support frame structure is fitted to the standard outlet attachment flange on the base section of the bellow.

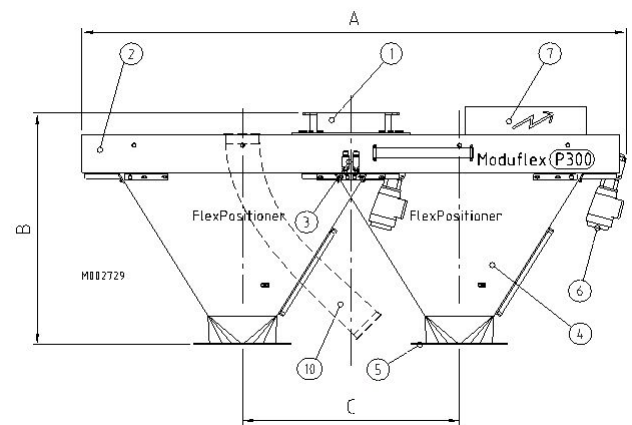
The outlet is fed by a hopper which runs in a sliding track way on the underside of the frame. The funnel can be traversed a maximum distance of two meter along the structures length.

Hopper sealing is maintained through a sealing plate against a sealing surface with automatic wear adjustment. Hopper seals are quickly and easily replaced, while the positioning unit remains completely assembled and installed in its normal operation position.

- Product inlet
Inlet with Ø300 mm connecting flange, fitting DIN300 PN 10.
- Support frame
Manufactured in painted (RAL 9010) mild steel as standard.
- End stops
Includes 2 electro mechanical limit switches mounted and factory preset. Provides end of travel control and control of the drive motor.
- Hopper
Hopper with 60° inclination. Running on precision ball bearings.
- Outlet
Outlet with Ø300 mm with connection flange, fitting DIN 300 PN 10.
- Motor for hopper shuttling
With direct drive motor 0,18 kW, gear 40:1 ratio –34 rpm.
- Connection plinth
Factory pre-wired connecting plinth.

10. Vent kit (optional)

Includes 100 or 150 mm rubber hose assembly to connect exhaust connection on loading chute to a stationary point on the positioner main support.



	P300H-1000	P300H-1500	P300H-2000
A	2 509	3 517	4 508
B	1 065	1 381	1 733
C	1 000	1 500	2 000

