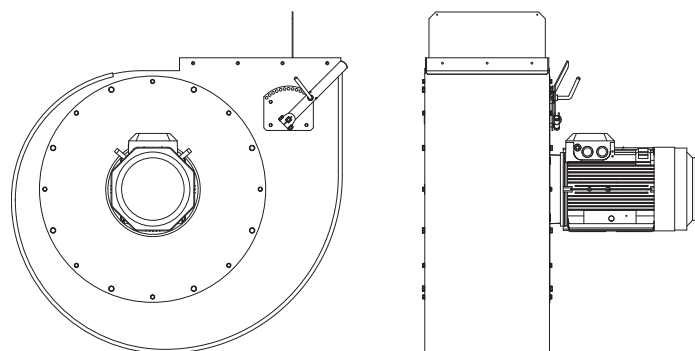
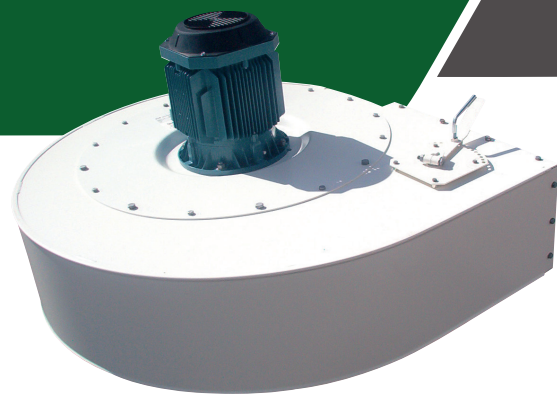




# DRYING CENTRIFUGAL FAN TYPE CM-87

## GENERAL

Brand	Cimbria
Designation	Centrifugal fan
Model	CM-87
Use	Industry
Application	Moving air within a duct in large-volume dust collection systems

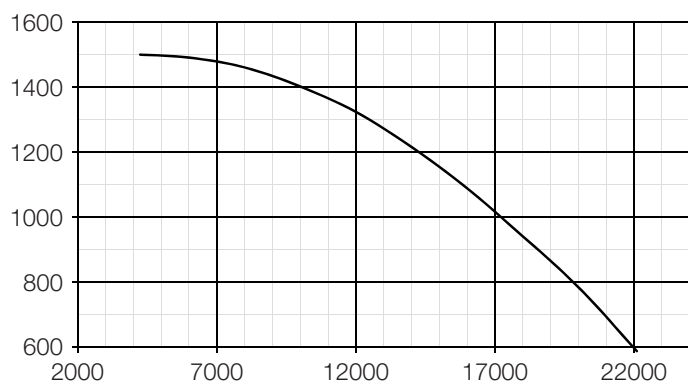


## FAN CATEGORY

Installation type	Ducted inlet and ducted outlet
Suitability for pressure	Low pressure
Casing construction	Intermittently welded with bolted on side-plates
Impeller type	Backward-inclined
Drive arrangement	Direct drive
Inlet and outlet conditions	Inlet and outlet openings directly by the casing
Method of fan control	Damper control Vane control (optional)
Outlet position	LG0-LG315; RD0-RD315
Motor position	Direct-line

## FAN CATEGORY

X-axis: Volume flowrate in m<sup>3</sup>/h.  
Y-axis: Static pressure [PS] in Pa



## DIMENSIONS

Impeller diameter	671 mm
Overall length	1 229 mm
Overall height	1 097 mm
Overall width	1 012 mm

## WEIGHT

Weight	270 kg
--------	--------

## OPERATING SPEED

Impeller rotation	1 500 rpm
-------------------	-----------

## ELECTRICAL RATINGS

Motor output	11 kW
Motor voltage	400 V
Motor frequency	50 Hz

## NOISE

Sound pressure level	96 dB(A)
----------------------	----------

## COMPLIANCE

EU machinery legislation	Yes
EU ATEX legislation	No
EU food contact legislation	No

## ENVIRONMENTAL CONDITIONS

Environment	Indoors
Temperature	From -20°C to +40°C
Altitude	Up to 1 000 m
Relative humidity	Maximum 80%, no dew point

## SURFACE PROTECTION

Casing	Paint (corrosivity category C2; low durability)
--------	-------------------------------------------------

## LIFETIME

Intended life limit	20 years
---------------------	----------