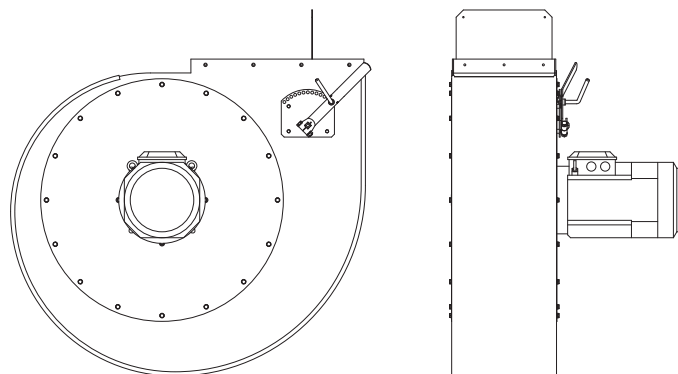
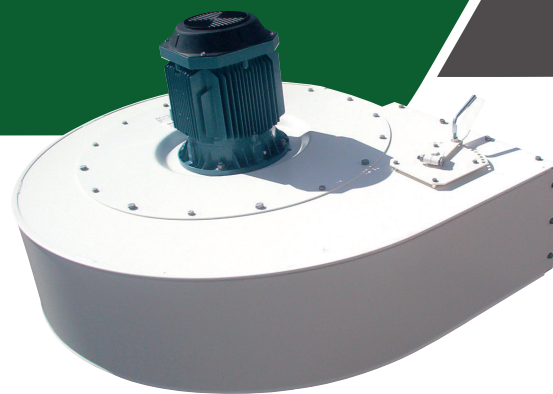




DRYING CENTRIFUGAL FAN TYPE CM-84

GENERAL

Brand	Cimbria
Designation	Centrifugal fan
Model	CM-84
Use	Industry
Application	Moving air within a duct in large-volume dust collection systems

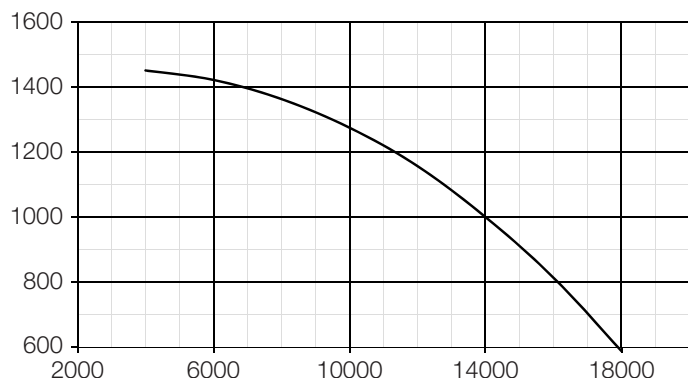


FAN CATEGORY

Installation type	Ducted inlet and ducted outlet
Suitability for pressure	Low pressure
Casing construction	Intermittently welded with bolted on side-plates
Impeller type	Backward-inclined
Drive arrangement	Direct drive
Inlet and outlet conditions	Inlet and outlet openings directly by the casing
Method of fan control	Damper control Vane control (optional)
Outlet position	LG0-LG315; RD0-RD315
Motor position	Direct-line

FAN CATEGORY

X-axis: Volume flowrate in m³/h.
Y-axis: Static pressure [PS] in Pa



DIMENSIONS

Impeller diameter	662 mm
Overall length	1 229 mm
Overall height	1 097 mm
Overall width	796 mm

WEIGHT

Weight	210 kg
--------	--------

OPERATING SPEED

Impeller rotation	1 500 rpm
-------------------	-----------

ELECTRICAL RATINGS

Motor output	7.5 kW
Motor voltage	400 V
Motor frequency	50 Hz

NOISE

Sound pressure level	93 dB(A)
----------------------	----------

COMPLIANCE

EU machinery legislation	Yes
EU ATEX legislation	No
EU food contact legislation	No

ENVIRONMENTAL CONDITIONS

Environment	Indoors
Temperature	From -20°C to +40°C
Altitude	Up to 1 000 m
Relative humidity	Maximum 80%, no dew point

SURFACE PROTECTION

Casing	Paint (corrosivity category C2; low durability)
--------	---

LIFETIME

Intended life limit	20 years
---------------------	----------