

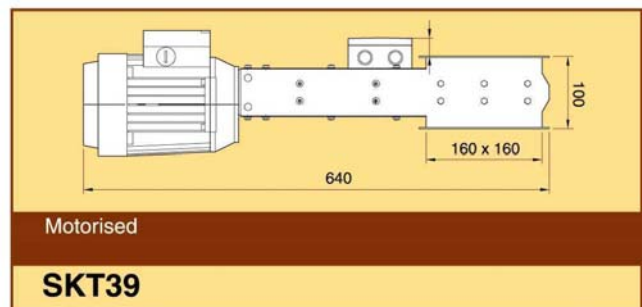
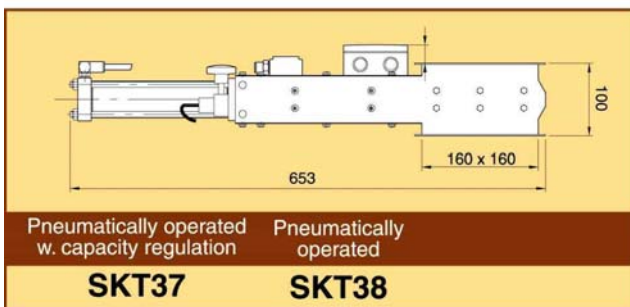
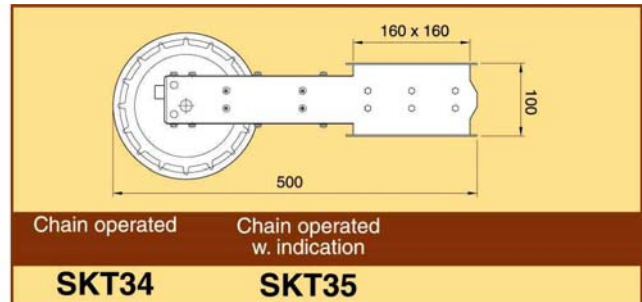
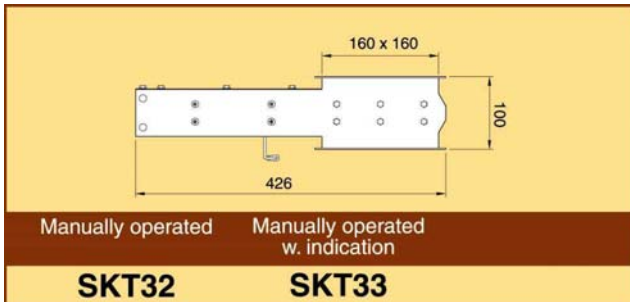
Data Sheet 21.4

Shutters SKT and SK Type Q-16



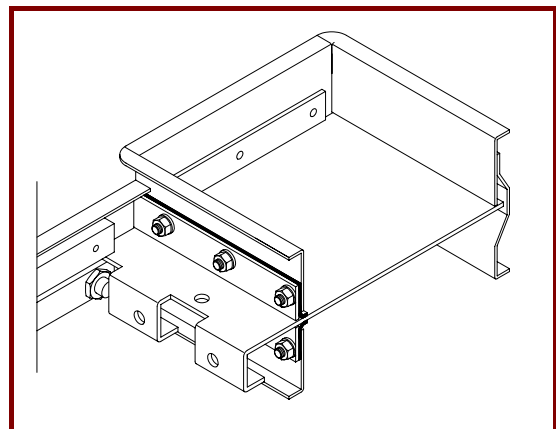
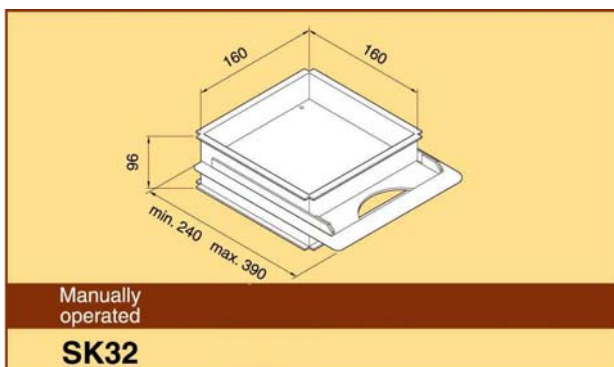
Shutters type SKT can be installed into a grain spout for the regulation or cutting off of the flow. The shutter type SKT is controlled by means of special internal guides ensuring that kernels are not broken. The shutter SKT is complete with VULKULAN™ sealing to minimise dust leakage.

The actuator on the shutter type SKT can be manually, motorised and pneumatically operated and is guarded and secured according to the EU machine directive.



The shutters type SK can be inserted into a grain spout for the regulation or cutting off of the flow. The shutter is controlled by means of outside guides ensuring that kernels are not broken.

The manually operated and the rack and pinion shutter type SK comply with the EU machine directive.



Copyright © - The right to alterations is reserved