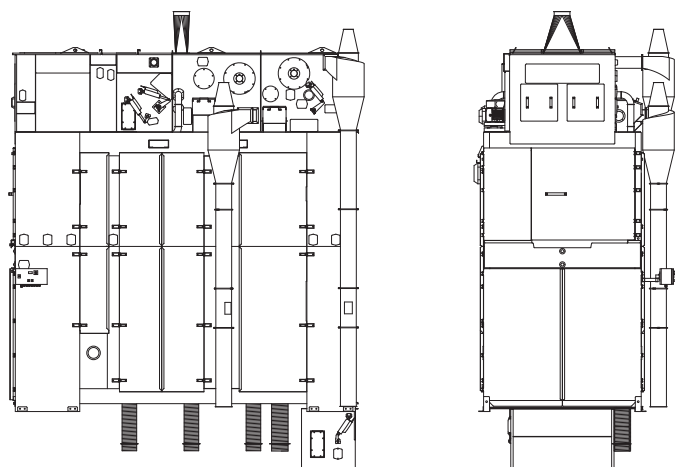


# AIR-SCREEN CLEANER DELTA 159.1

## GENERAL

Brand	Cimbria
Designation	Air-screen cleaner
Model	DELTA 159.1
Use	Industry
Application	Pre cleaning or industrial cleaning of cereal grains, pulses, oilseeds etc.



## PERFORMANCE

Materials	Bulk density t/m <sup>3</sup>	Moisture content %	Capacity t/h
Barley	0.68	20 (15)	200 (160)
Maize	0.71	20 (15)	180–200 (150)
Malt	0.52	20 (15)	100 (90)
Oats	0.51	20 (15)	100 (30)
Peas, common	0.7	20 (15)	180–200 (80–130)
Rapeseed	0.74	20 (7–9)	180–200 (80)
Rice, white	0.75	20 (15)	180–200 (45)
Rye	0.69	20 (15)	200 (160)
Sorghum	0.64	20 (15)	200 (160)
Soybeans	0.72	20 (15)	180–200 (80–180)
Wheat	0.76	20/15 (15)	200/250 (160)

Legend: Values in parentheses are for industrial cleaning. Other values are for pre cleaning.

Note: Capacities may vary for different impurity and moisture contents.

## DIMENSIONS

Screen area, total	24 m <sup>2</sup>
Screen size	1 250×800 mm (24 pcs)
Overall length	4 424 mm
Overall height	5 831 mm
Overall width	2 557 mm

## WEIGHT

Weight, empty	9 000 kg
Weight, operating (wheat)	10 680 kg
Weight, choked (wheat)	18 000 kg

## OPERATING SPEED

Shaker feeder (shaft)	100–500 rpm
Screens (shaft)	280–285 rpm

## ELECTRICAL RATINGS

Motor, shaker feeder	1.5 kW
Motor, screens	3 kW
Motor, pre aspiration	3 kW
Motor, post aspiration	4 kW

## AIR SUPPLY AND EXTRACTION

Aspiration volume	3 600 m <sup>3</sup> /h
-------------------	-------------------------

## DYNAMIC LOADS

Horizontal load "Ph"	±1 420 N @ 4.6–4.8 Hz
Vertical load "Pv1" (inlet end)	±7 575 N @ 4.6–4.8 Hz
Vertical load "Pv2" (outlet end)	±7 575 N @ 4.6–4.8 Hz

Note: Dynamic loads are for normal operation.

## NOISE

Sound pressure level, empty	77.6 dB(A)
-----------------------------	------------

## COMPLIANCE

EU machinery legislation	Yes
EU ATEX legislation	No
EU food contact legislation	Option*

\* Consult your Cimbria dealer for full details.

## ENVIRONMENTAL CONDITIONS

Environment	Indoors
Temperature	From -20°C to +40°C
Altitude	Up to 800 m

## SURFACE PROTECTION

Frame and enclosure	Paint (corrosivity category C2; low durability)
---------------------	-------------------------------------------------

## LIFETIME

Intended life limit	20 years
---------------------	----------