

# Data Sheet 510

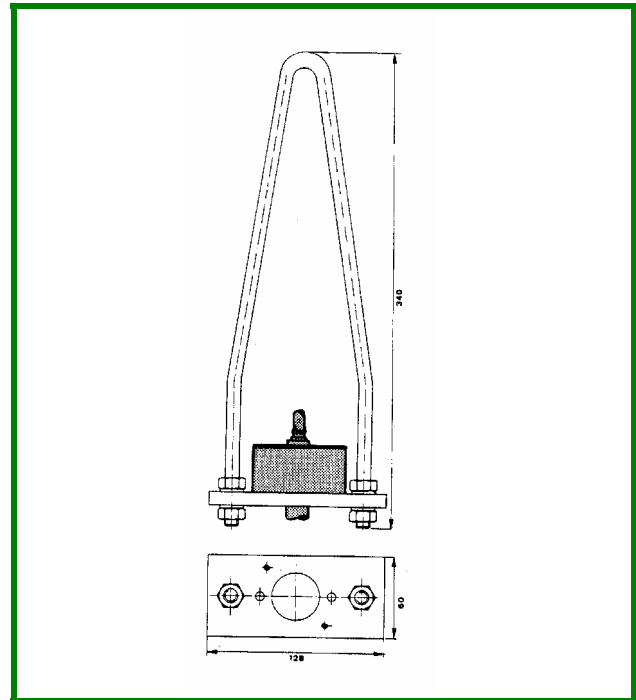
## Unitest Hangers



The hanger is used in installations where neither the round nor the rectangular suspension box will fit. The measuring cable is extended and protected by a flexible conduit connected to a junction box in a convenient place on top of the silo.

### Dimensions:

**Plate** : 128 x 60 mm  
**Strap** : 340 mm high  
**Weight** : approx. 2 kg.



Copyright © - The right to alterations is reserved