

Data Sheet 508

Unitest Round Suspension Box



The Unitest® system includes various installation components which make it possible to establish any installation for almost all kinds of grain storages.

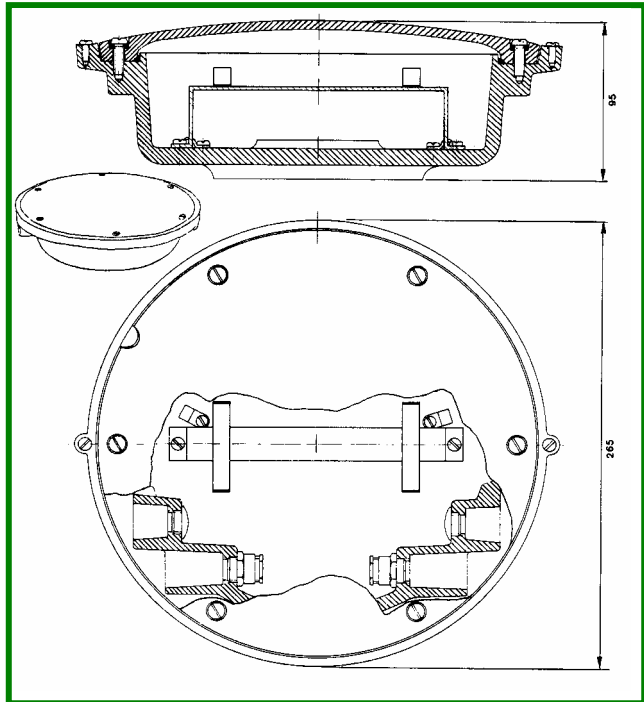
Hardly two installations are alike and it may be necessary to construct supports, etc. for cables and hangers locally.

Round Suspension Box

This suspension box is for embedding in concrete. It is used in new concrete installations to suspend a heavy duty cable. The box is made in cast cilium.

Dimensions : 265 mm Ø, 95 mm high
Weight : Approx. 5 kg.

In series installations the address board can be affixed in the suspension box.



Copyright © - The right to alterations is reserved