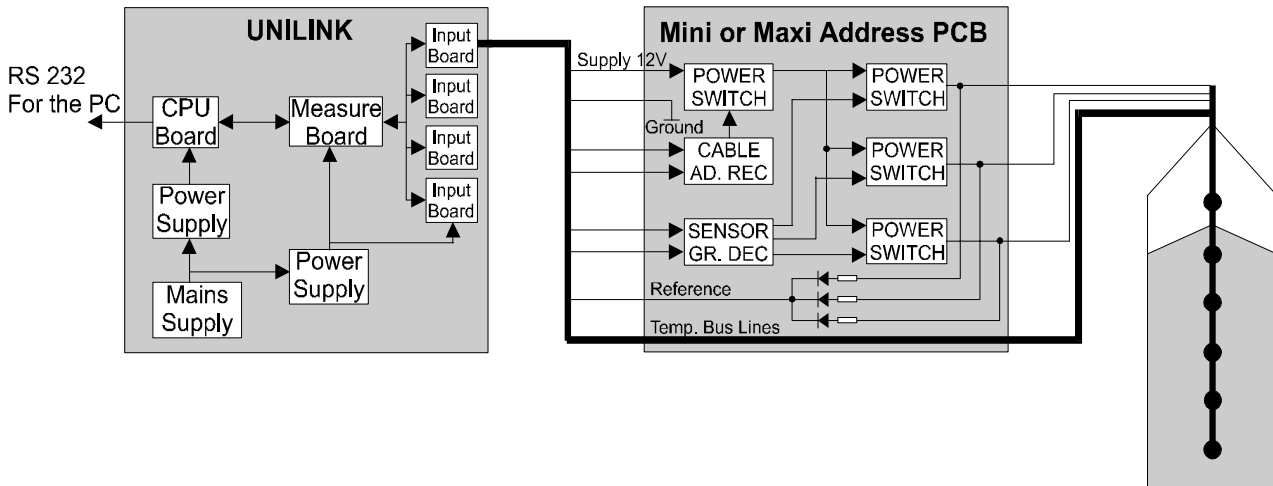


Data Sheet 505

Unitest Unilink



Unilink

The Unilink converts the RS-232 full duplex serial communication from the computer into a signal for the bus cables, and supplies the bus cable with 12V DC power for the address PCB.

Specification:

Power requirements

Mains : 230 Vac - 50/60 Hz
Consumption : Maximum 50VA

Sensor Cables

The length and number of sensors in one cable are custom specified.

Specification:

Sensor : NTC with diode
Nom value : 3000 ohm / 25°C
Range : -20°C to 85°C
No. of sensors : Maximum 16

Bus cables

The bus cables have 20 wires for communication and hereof 2 wires for 12V DC.

Butt Connectors

The systems are constructed so that only butt connectors may be used. If butt connectors are not used, the internal check system in the read-out units will reject the measurement and display an error message.

All field wire connections must be made with moisture resistant butt connectors!

Address Boards

Two types of address boards are available.

Mini address board covers one sensor group or max. 8 sensors.

Maxi address board covers two sensor groups or max. 16 sensors.

The address boards are embedded in a plastic compound and are thus climatically protected.

Working conditions: -20°C to +70°C
0 to 100% RH.

Copyright © - The right to alterations is reserved