

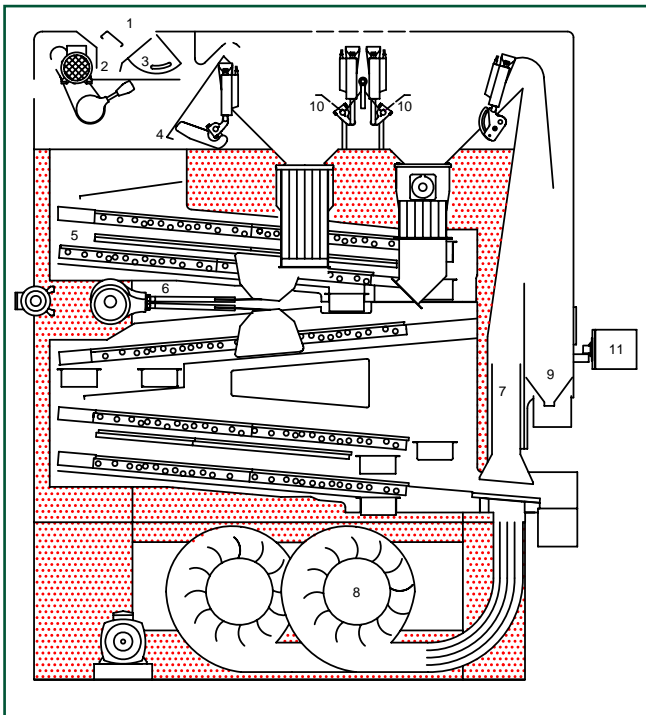
Data Sheet 105

Cimbria DELTA Super 105



Cimbria DELTA Super 105 has been developed for high quality fine cleaning of malting barley, seed grain, legumes, grass and garden seeds.

The machine's efficient screen system with its accurately matched stroke and frequency, is complemented by Cimbria's highly developed pre- and after suction system. Two air lifting blowers at the bottom of the machine ensure unrivalled air cleaning and grading.



1. Inlet

Optimal feed over the width of the machine is achieved by a shaker feeder, with stepless adjustment via frequency regulating.

2. Shaker feeder

Ensures an uniform feeding on the entire width of the machine also when cleaning difficult flowing products, i.e. grass seed, in addition the shaker feeder also prevent the product from flowing when the shaker feeder has stopped.

3. Adjustable feed gate.

The feed gate will only be adjusted when the opening need to be bigger due to difficult flowing products, i.e. grass seed.

4. Pre-suction

With finely adjustable suction intake directly under the feed gate for effective removal of fine particles.

5. Screens

(L x W = 800 x 1250 mm) can be employed as sieves, sorters or graders, and are effectively kept clean by rubber balls in newly developed ball boxes. It is not necessary to take out the ball boxes when changing screens.

6. Eccentric drive system for screen boats

Supplied standard with fixed speed alternative frequency regulation.

7. After suction

Light particles are sucked out of the product flow on the air screen and lead through the air lifting channel to the expansion chamber, from where it is extracted by screw conveyor.

8. Two air lifting blowers

Ensure a homogenous airflow and support the after suction considerably. Delivered with frequency regulation.

The system is used to separate light grains with low germination from the final product, by blowing the light product up into the airlifting channel, and separated in the expansion chamber the husk will be lifted in to the after suction blower, and the light kernels will fall in to the middling outlet.

9. Outlet for middling product

10. False air intakes (2 pcs.)

For adjustment of air quantity in both the pre- and after suction systems.

11. Adjustment

Remote control of integral motor for shaker feeder, air lifting unit, pre suction, after suction and air velocity. The adjustment of the above is placed in a small control box, which is placed on the cleaner.

Capacity based on 15% H₂O:

8% incoming up to 2% under 2.2 mm

Wheat, Rye, Sorghum and Malted Barley	7.5 t/h
Oats, Maize, white Rice	6.0 t/h
Soya, Peas, Rape, Coffee	6.0 t/h
Paddy rice	4.5 t/h
Sunflower, roasted Coffee	3.0-3.5 t/h
Rye grass, clover	1.6-1.8 t/h

Dimensions:

Machine height (without fan)	3289 mm
Machine length	3086 mm
Machine width	1855 mm
Height, standard inlet hopper	532 mm

Screen area:

	10.0 m ²
--	---------------------

Square outlet pipes:

(Adapter to round available)	
a) from screens	160 x 160 mm
b) from expansion chambers	240 x 240 mm

Motors: (standard):

Screen	1.5 kW
Lifting air fans (integral)	2.2 kW
Shaker feeder (integral)	0.75 kW
Top fan (optional)	5.5 kW

Air volume:

Pre- and after suction	9800 m ³
------------------------	---------------------

Total weight of cleaner:

Without top fan	3140 kg
Freight volume	21 m ³

Dynamic loading at 4.6 - 4.8 Hz:

PH = +/- 2515 N PV = +/- 190 N 10 N = 1 kg

Technical data can vary for certain of the above due to continued development, or a different machine composition.

This DELTA cleaner can, in a few minutes, be converted to different cleaning programmes, e.g.:

- Beans, lupin seed, maize
- Oats, wheat
- Rye grass, Red fescue
- Rape, peas, lentils

Copyright © - The right to alterations is reserved