

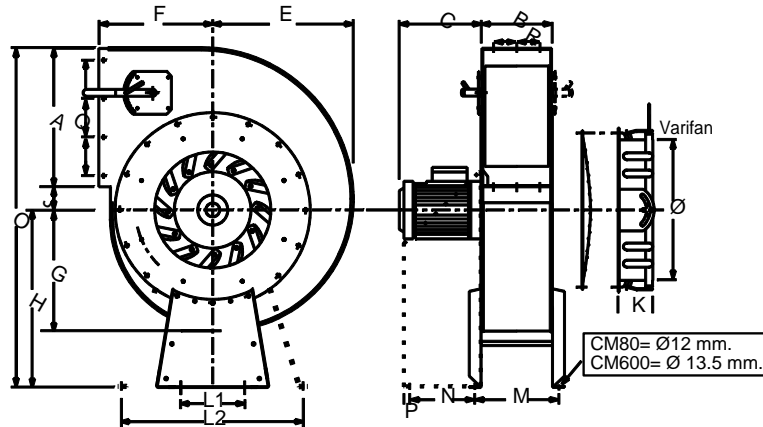
Data Sheet 74.8

Centrifugal fan CM

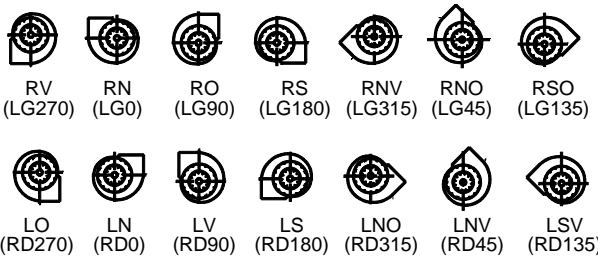


The CIMBRIA centrifugal fan type CM is a medium pressure fan having backward curved steel blades manufactured in steel plate. The impeller is selfcleaning and dynamically balanced. The spiral housing is made of welded steel plate. The fans are supplied with a direct coupled 1450 rpm flange motor. The larger models, CM620, 625 and 630 are supplied with motor frame and built-in Varifan on the suction side.

The CMA fans are as standard equipped with trottle valves and can be supplied with the specially developed VARIFAN (see drawing) which is made of adjustable guide plates placed as a rosette at the intake. It regulates the air volume and reduces the energy consumption with lowered capacity.

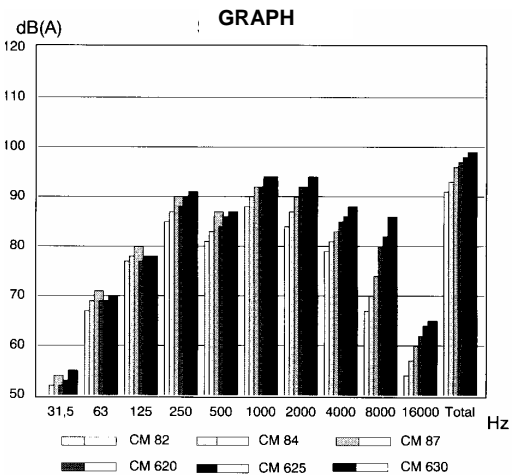
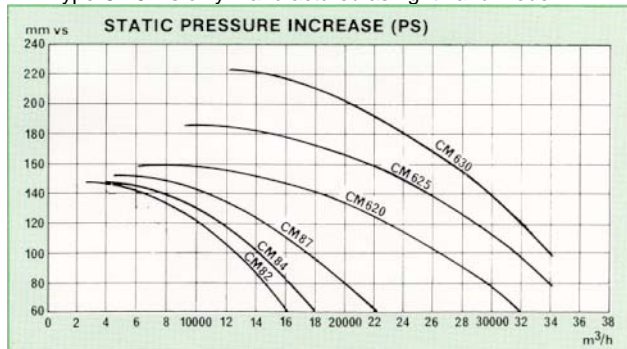


Type	kW	A	B	C	D	E	F	G	H	J	K	L1	M	N	P	Ø	weight/kg	mm.VS(Pt.)	m³/h
CM82	5,5		300	360								362					200	140	8200
CM84	7,5	600	360	360	500	610	490	525	765	100	150	275	422	0	0	600	210	125	11000
CM87	11,0		460	460								522					269	110	16000
CM620	15,0			460								L2					365	130	21000
CM625	18,5	710	550	555	750	700	540	600	850	90	175	790	655	250	92	750	405	158	22000
CM630	22,0			555													420	165	27000



The medium pressure fans type can be used as aspiration and exhausting ventilators for CIMBRIA DELTA screen cleaners. Further the fans can be used in connection with continuous grain dryers, for exhaust of the humid air through cyclones for separation of dust.

Designation of handling applies to fan viewed from suction side. NB: Type CM82 is only manufactured as right hand model "R".



The noise level is measured 1 m from the outlet. NB: at 60 Hz the noise level will increase about 10 dBA.

NB: The motor type used in the computation above is a 1450 rpm, 3 x 220/380 V, 50 Hz.

Copyright © - The right to alterations is reserved

