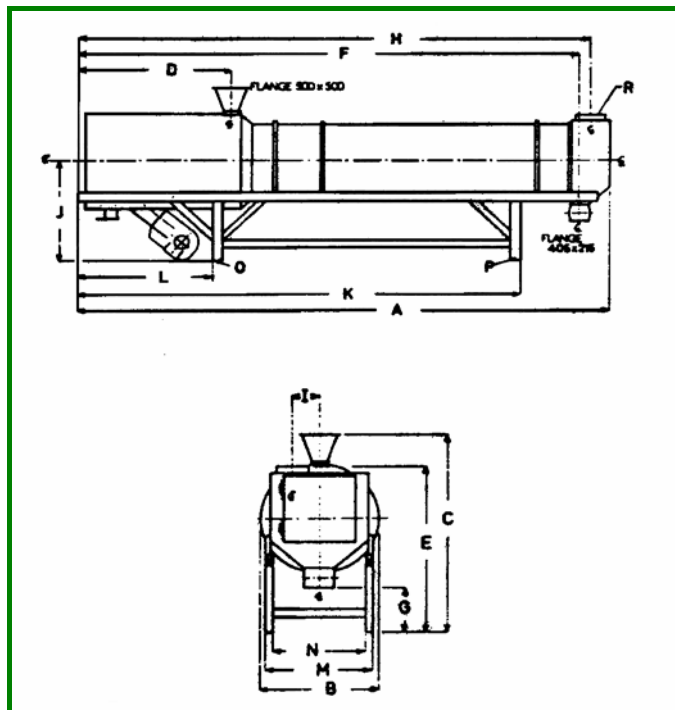


Dantoaster DTF 30/9000 - 20/6000 - 10/3000



DTF-dimensions all in mm

Type	30/9000	20/6000	10/3000
A	8250	7900	7900
B	1600	1600	1600
C	2925	2925	2925
D	2350	1860	1860
E	2410	2410	2410
F	7760	7210	7210
G	590	590	590
H	7950	7450	7450
I	365	365	365
J	1685	1685	1685
K	6880	6880	6880
L	2110	2110	2110
M	1460	1460	1460
N	1260	1260	1260
O raise	0-350 / 2.5 ton	0-350 / 2 ton	0-350 / 2 ton
P turn	/1 ton	/1 ton	/1 ton
R	450°	350°	300°
Weight max.	7 ton	6 ton	6 ton

Type DTF	30/9000	20/6000	10/3000
Caloric consumption kW	1500	970	485
Evaporative capacity kg/h	1500	1000	500
Energy consumption Kcal/kg H ₂ O	800-900	800-900	800-900
Drying capacity ton/h barley 20% - 16% (intake cap.)*	30	20	10
Air consumption v/100°C m ³ /h	10-11000	7-8000	4-5000
Drum motor kW	7.5	7.5	7.5
Burner motor kW	2.6	1.4	0.76
Sluice motor kW	0.55	0.55	0.55
*After correct cooling			

Copyright © - The right to alterations is reserved

