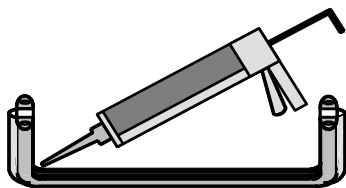
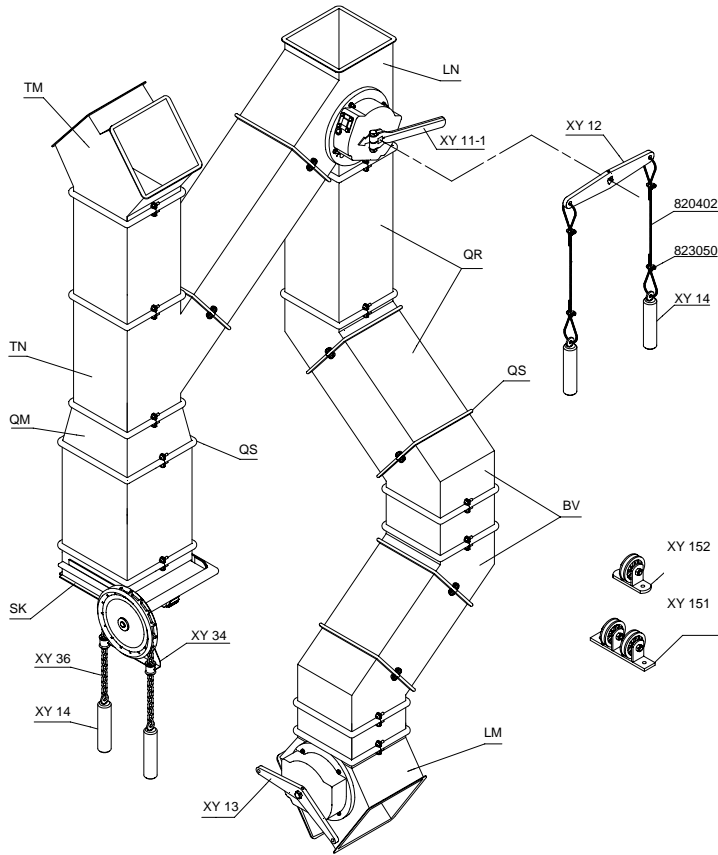
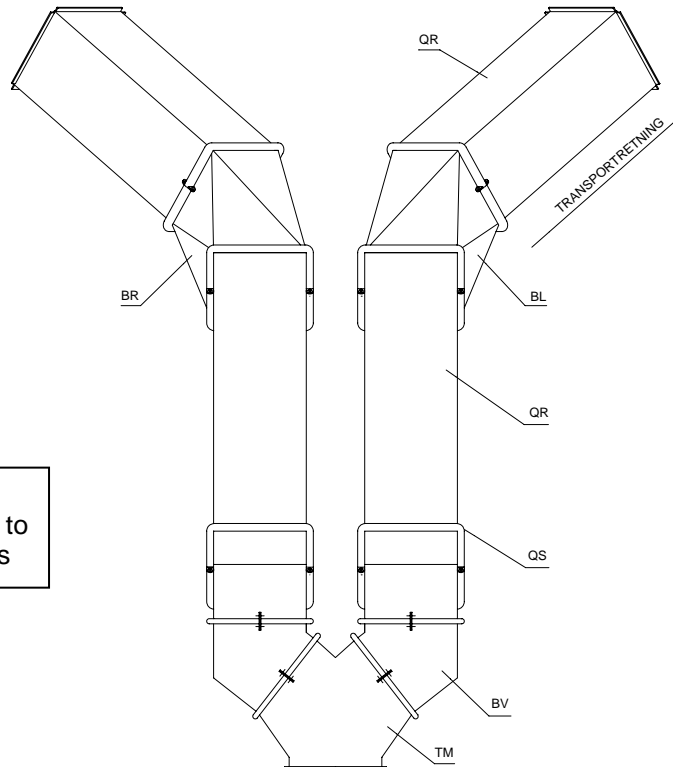


Data Sheet 20.1

Examples on Q-pipe connection and various accessories



In order to prevent dust emission, apply Secomastic sealing compound to the grooves of the assembly flanges



Copyright © - The right to alterations is reserved