

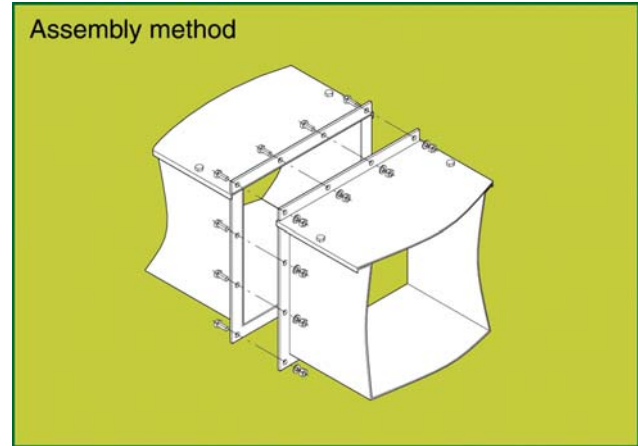
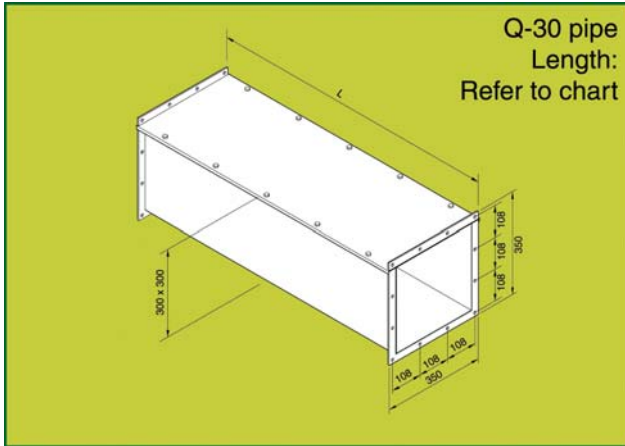
Data Sheet 24

Grain Spouts, Flanges and Bends Type Q-30



Cimbria grain spouts Q-30 have an outside cross section of 300 mm. The spouts are made of 3 mm steel plate and are delivered dip painted in RAL9010. The spouts are delivered in two parts, trough and cover plate.

The spouts are stocked in the following standard lengths: 990 - 1490 - 1990 mm, which are all complete with 5 mm welded end flanges for bolted assembly.



| 990 mm | 1490 mm | 1990 mm |
|-----------|-----------|-----------|
| QR91001/2 | QR91491/2 | QR91991/2 |

| Q-30 welding flange |
|---------------------|
| QF921/2 |

Vertical bends

| | | | | |
|---|--|--|--|--|
| <p>7°</p> <p>116</p> <p>BV 907</p> | <p>10°</p> <p>132</p> <p>BV 910</p> | <p>35°</p> <p>244</p> <p>BV 935</p> | <p>45°</p> <p>297</p> <p>BV 945</p> | <p>52°</p> <p>300</p> <p>BV 952</p> |
|---|--|--|--|--|

Twisted bends

| | | | |
|---|--|---|--|
| <p>15°</p> <p>117</p> <p>135 30 51</p> <p>BL 915</p> | <p>30°</p> <p>235</p> <p>175 30 30 30</p> <p>BL 930</p> | <p>15°</p> <p>117</p> <p>135 30 15</p> <p>BR 915</p> | <p>30°</p> <p>235</p> <p>175 30 30 30</p> <p>BR 930</p> |
|---|--|---|--|

Copyright © - The right to alterations is reserved