

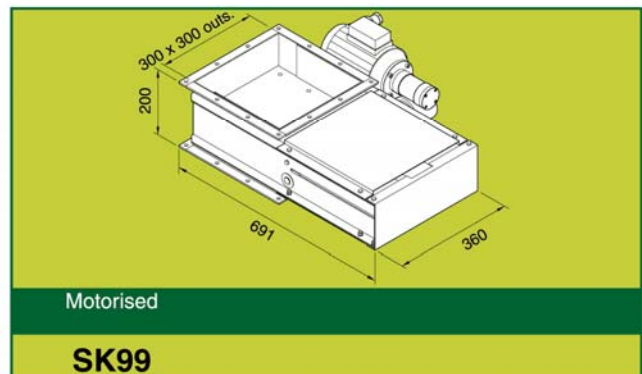
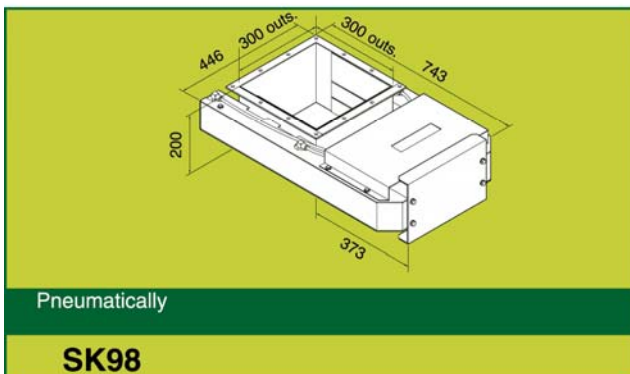
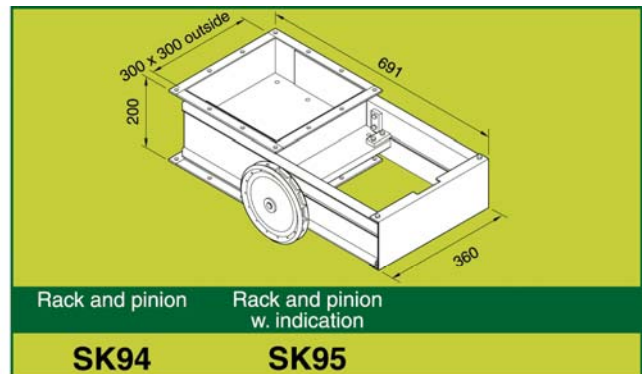
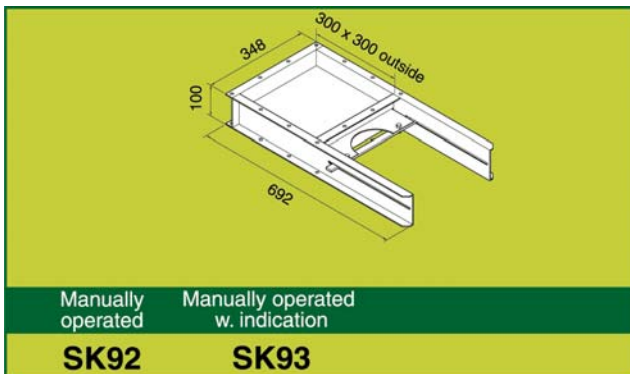
Data Sheet 24.2

Shutters SK Type Q-30



The shutters type SK can be inserted into a grain spout for regulation or cutting off of the flow. The shutter is controlled by means of outside guides ensuring that kernels are not broken.

All shutters type SK do comply with the EU machine directive in the Q-30 series.



Copyright © - The right to alterations is reserved