

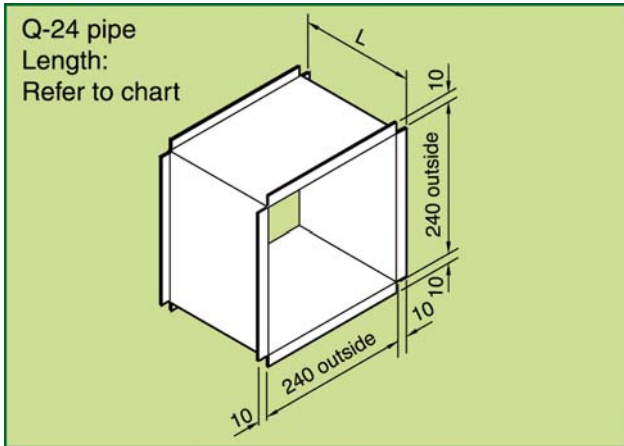
# Data Sheet 23

## Grain Spouts, Connection Clamps and Flanges type Q-24



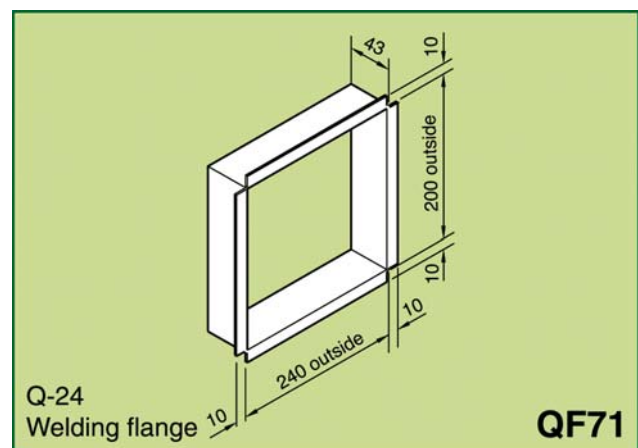
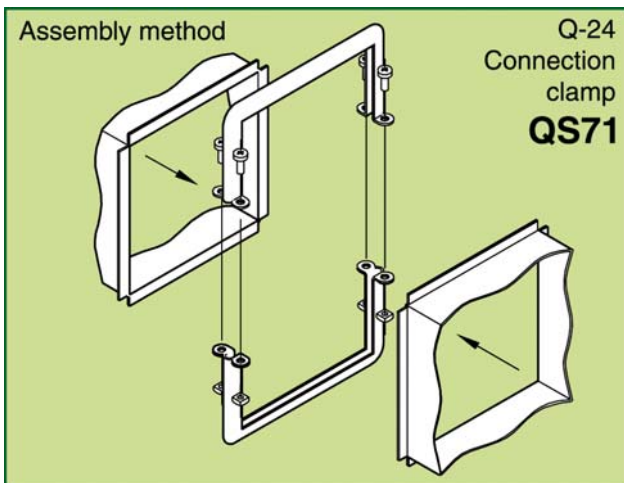
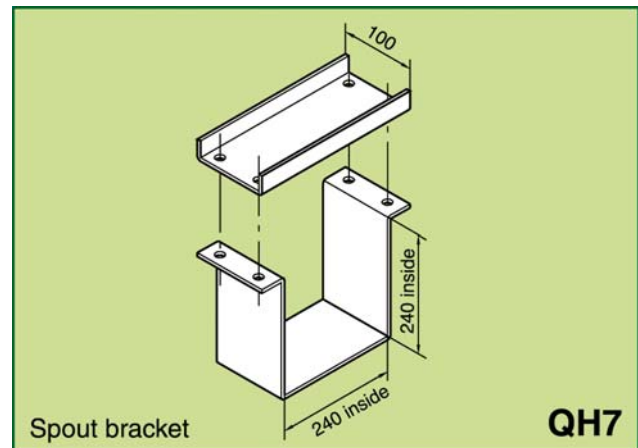
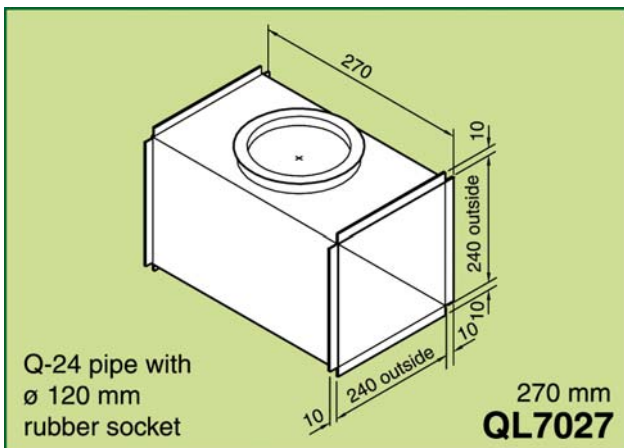
CIMBRIA Grain spouts Q-24 have an outside cross section of 240 mm. The spouts are made of 3 mm steel plate and are delivered dip painted in RAL 9010. The spouts are

stocked in the following standard lengths: 90 - 120 - 270 - 330 - 470 - 970 - 1470 mm which are all complete with end flanges for connection clamps.



90 mm	120 mm	270 mm	330 mm
QR7009	QR7012	QR7027	QR7033

470 mm	970 mm	1470 mm
QR7047	QR7097	QR7147



Copyright © - The right to alterations is reserved