

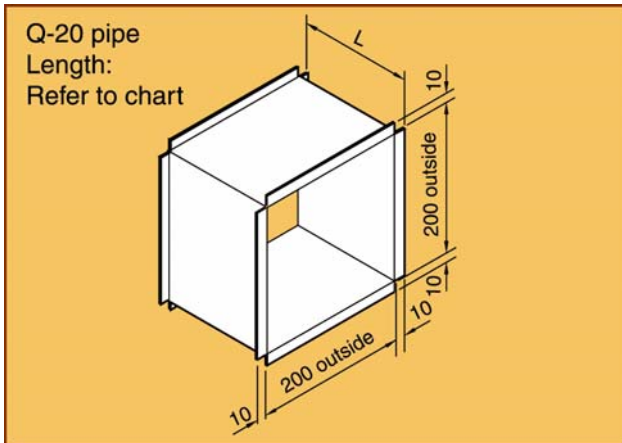
# Data Sheet 22

## Grain Spouts, Connection Clamps and Flanges Type Q-20

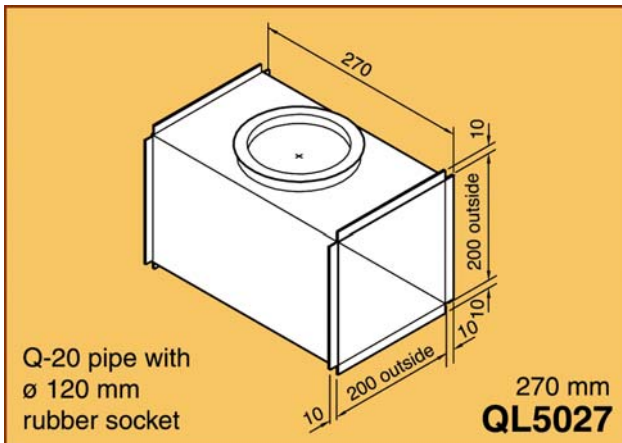


CIMBRIA Grain spouts Q-20 have an outside cross section of 200 mm. The spouts are made of 2.5 mm steel plate and are delivered dip painted in RAL 9010. The spouts are

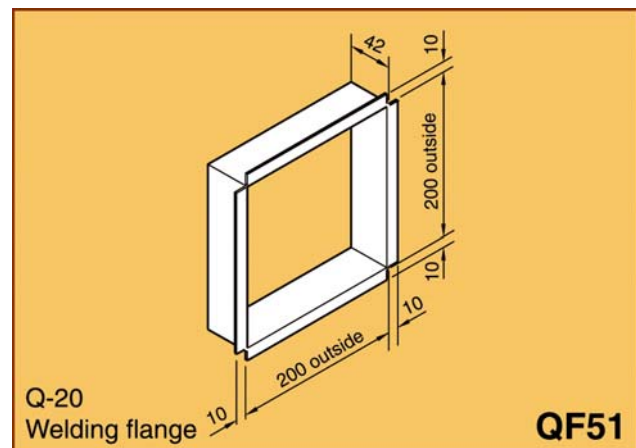
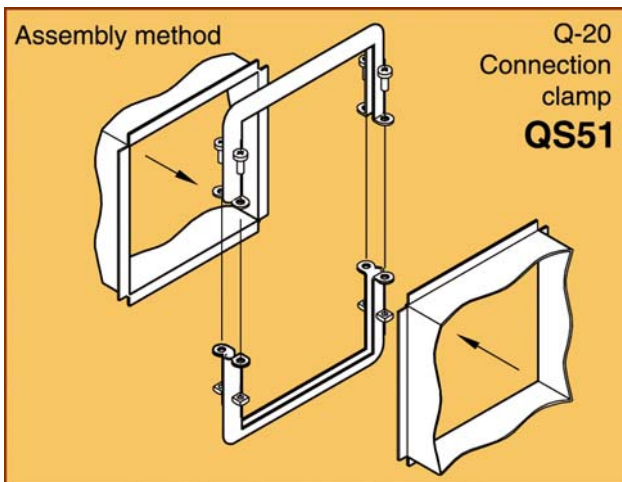
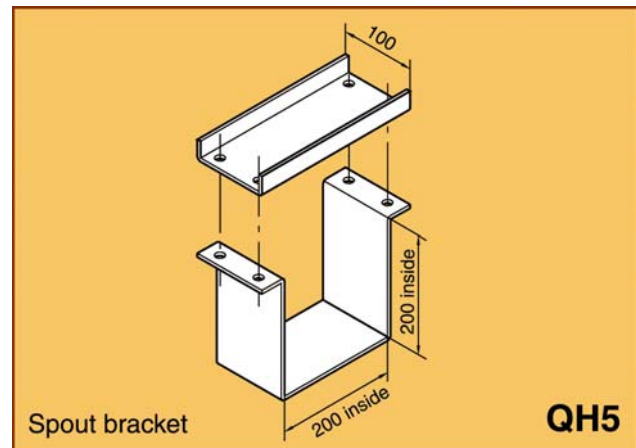
stocked in the following standard lengths: 90 - 120 - 270 - 330 - 470 - 970 - 1470 mm which are all complete with end flanges for connection clamps.



90 mm	120 mm	270 mm	330 mm
QR5009	QR5012	QR5027	QR5033



470 mm	970 mm	1470 mm	
QR5047	QR5097	QR5147	



Copyright © - The right to alterations is reserved