

Data Sheet 44

Cimbria Jog Conveyor Type Z



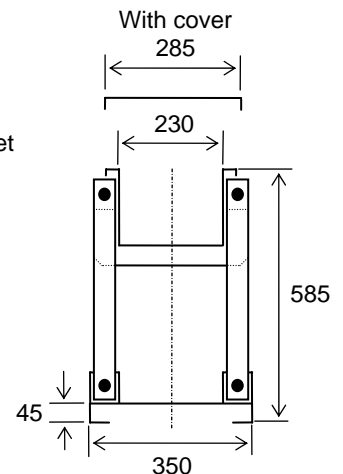
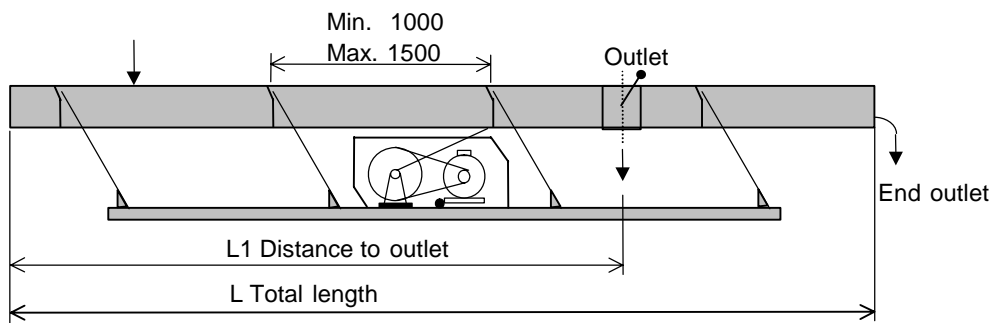
Cimbria Jog Conveyors type Z are especially designed for shorter, horizontal transportation of grain or similar products in connection with operation of cleaning, seed corn plants, grain mills, drying, etc. The Cimbria jog conveyor is self-cleaning and is offered in 4 different sizes with an output from 10 to 35 tons wheat per hour (density 0.76 dry and cleaned).

Cimbria jog conveyors consist of an open steel plate trough with formed edges carried by inclined leaf-springs which are supported by the base plate. An eccentric shaft with double flywheels equipped with balancing weights puts the chute in slanting oscillations whose stroke and frequency are adjusted according to the transport capacity.

m ³ /h	14	23	35	47
Type	Z-0	Z-1	Z-2	Z-3

The capacities and maximum lengths given are only applicable if the erection base is sufficiently firm, for instance a concrete floor. If the conveyor is to be erected on a wooden floor it must be bolted to through-going beams laid out on the floor, and, dependent on the stability of the base, only 60 - 80% of the maximum lengths shown

may be reckoned on and a small decrease in the transport capacity must be expected. By design and construction of support for the jog conveyor the dynamic load from the conveyor must be taken into consideration. The load is depending on length of conveyor and product and can by request be given by Cimbria Manufacturing A/S.



Type	Z-0	Z-1	Z-2	Z-3
Max. output per hour, m ³ /h	14	23	35	47
RPM of eccentric shaft: (length of stroke 30 mm, at ecc. 15 mm)	270	300	340	390
Motor pulley (boring ø19 mm) - 2 A-55 belts	ø56	ø63	ø71	ø80
Greatest permissible length, m	12	9	7	5

Outlet

By means of the special gates in the trough bottom emptying is possible in any position along the length and the emptying is complete because the open gate forms a stop for the further movement of the grain. Ball handles are mounted on both sides of the trough for operation of the gates.

Besides indication of the type (or the hourly capacity) orders for jog conveyors should contain the length of transportation "L" and the distance, "L1" to any bottom outlets.

Cover

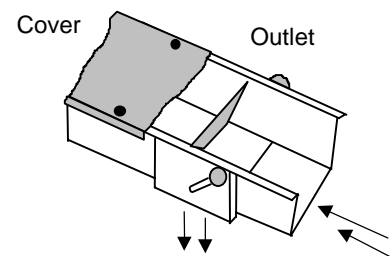
Cimbria jog conveyors can be delivered totally enclosed with a bolted on cover or with a cover with spring lock. This kind of unit is suitable for transport of dusted materials.

Inlet

The inlet to the jog conveyor can be positioned directly into the cover at any position along the conveyors.

Outlet-connection

Passage to Cimbria Q-Flange system is possible when supplying spouts to the outlet.



Extra Equipment:

- Outlet
- Cover, with or without spring lock
- Spout for outlet

Copyright © - The right to alterations is reserved