

Data Sheet 34.3

Chain Conveyor: Inlet RL & RM

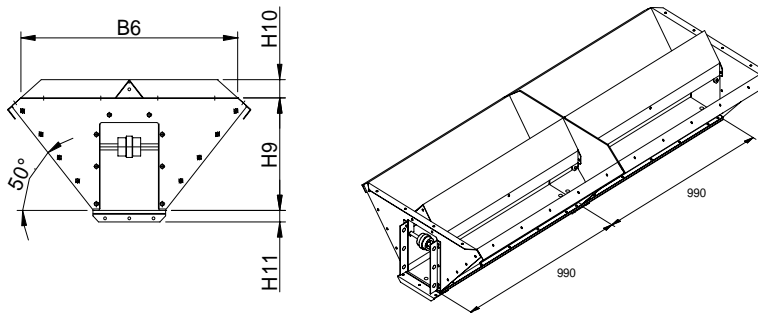
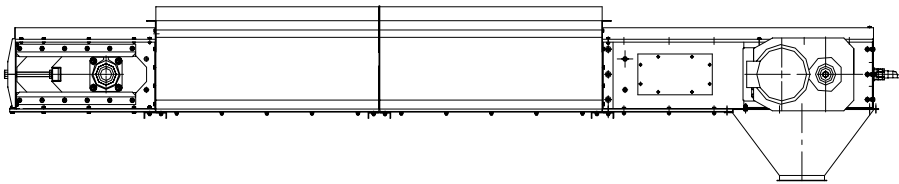


Inlets to the chain conveyors can be made into the lid or by means of a side inlet.

material is divided to both sides of the conveyor box by a cover over the returning chain. Double side inlet is made in sections of 990 mm.

Dual sided Inlet:

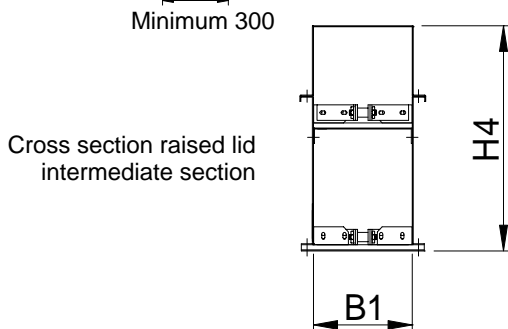
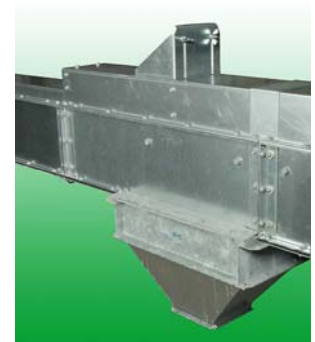
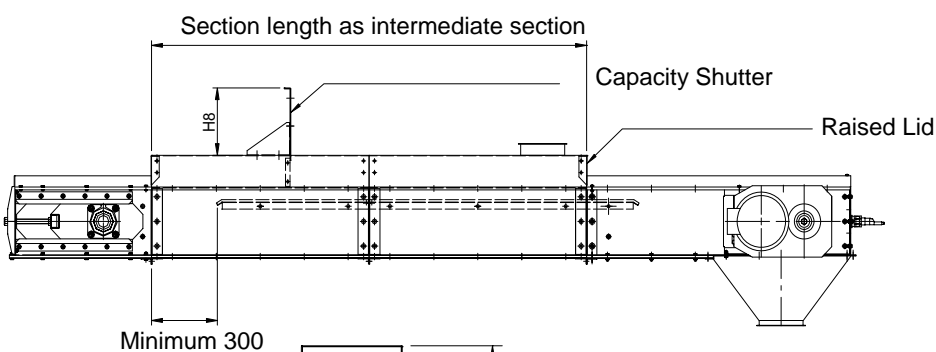
Dual side inlet for a chain conveyor has the shape of a trough, where the material comes in from both sides. The



	B6	H9	H10	H11
RL3	760	370	60	38
RL5	917	450	75	38
RL7	1000	485	115	38
RL8	1200	580	140	43
RM10	1415	666	204	44
RM12	1760	910	86	54

Intermediate Bottom, Raised Lid and Capacity Shutter:

The conveyors can be supplied with an intermediate bottom plate. This opens the possibility for a number of outlets posited over the total conveyor length.



	H8	H4	B1
RL3	290	438	205
RL5	290	562	255
RL7	440	683	280
RL8	440	763	330
RM10	380	953	400
RM12	508	1137	500

Copyright © - The right to alterations is reserved