

# Data Sheet 34.1

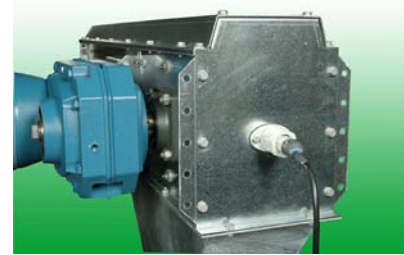
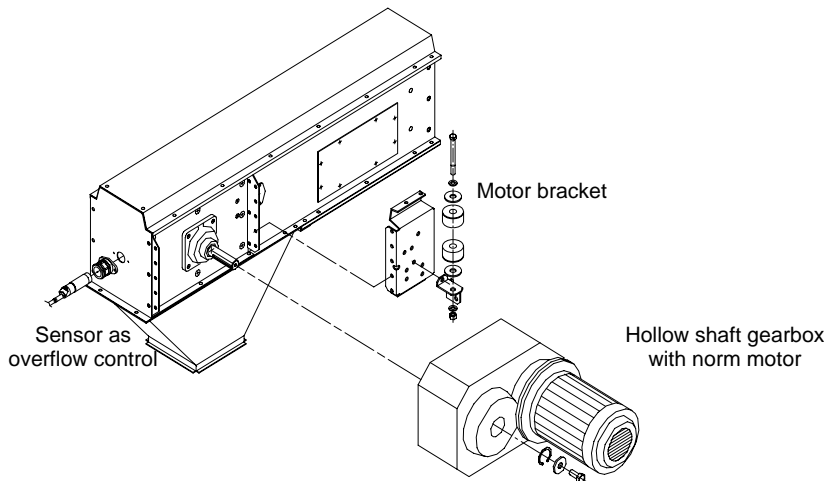
## Chain Conveyor RL & RM Drive Terminal and Chain



The drive terminal is of bolted construction and is complete with heavy-duty main drive shaft mounted on industrial quality ball bearings. The drive terminal is also complete with an ATEX approved sensor as an overflow control.

The drive terminal is supplied with a hollow shaft gearbox. The hollow shaft gearbox is held by a strong bracket with

rubber shock absorbers to absorb operational movements. Alternatively the conveyor can be supplied with a directly mounted gearbox on a side mounted console with a vibration absorbing coupling to the chain drive shaft. The drive terminal is prepared for an inspection window.



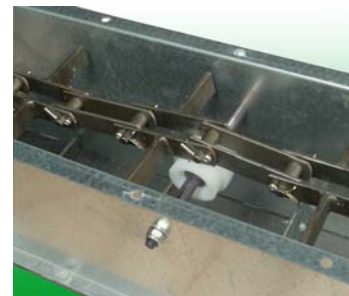
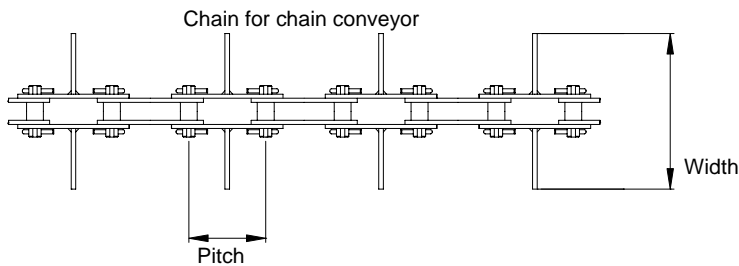
	<u>Cap. t/h x (Length in meters + 5)</u>	
Rough calculation of effect:	544	+ 0.37 = kW

### Chain:

The conveyor chain is manufactured from special steel with welded flights, and is fitted with hardened steel bushes.

A number of flights are complete with plastic flaps, which clean the bottom of the conveyor box.

The chain can be with return buckets for return transport of material in the conveyor.



Type	RL3	RL3	RL5	RL7	RL7	RL8	RL8	RL8*
Item no.	RK318	RK322	RK522	RK722	RK725	RK822	RK825	RK830
Width	190	190	240	265	265	315	315	315
Pitch	100	100	100	125	125	125	125	160
Strength kN	50	115	115	115	160	115	160	224

Type	RM10	RM10	RM10	RM12	RM12	RM12*
Item no.	RK1025	RK1030	RK1036	RK1230	RK1236	RK1242
Width	385	385	385	485	485	485
Pitch	125	160	160	160	160	200
Strength kN	160	224	315	224	315	450

not on stock

Copyright © - The right to alterations is reserved